

## RUE-F

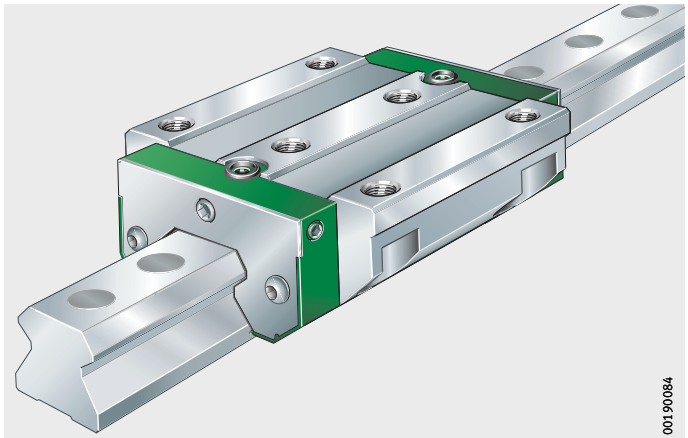
Sixth generation linear recirculating roller bearing and guideway assemblies



# Product overview **Linear recirculating roller bearing and guideway assemblies**

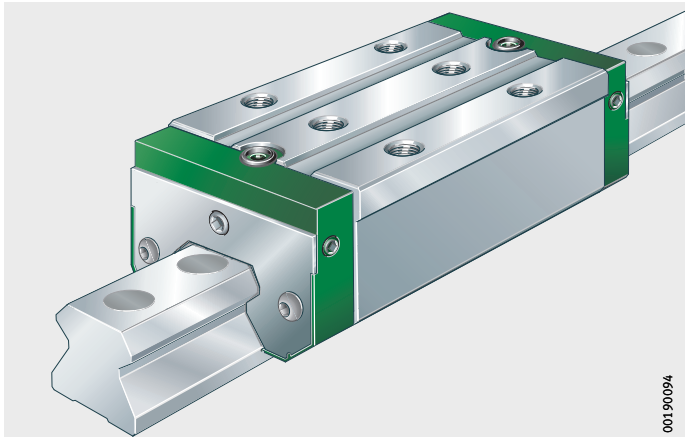
**Full complement**  
For oil and grease lubrication

RUE..-F, RUE..-F-L



00190084

RUE..-F-H, RUE..-F-HL, RUE..-F-SL

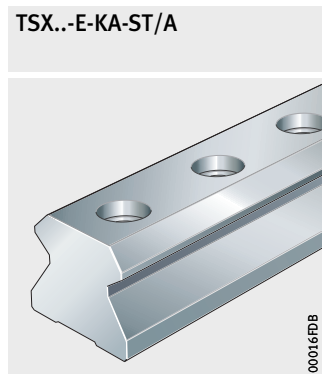
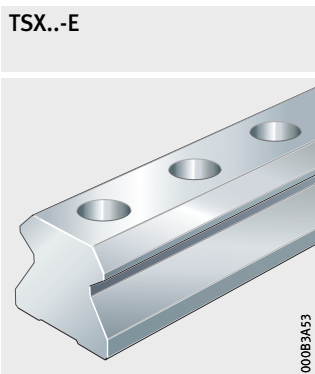


00190094

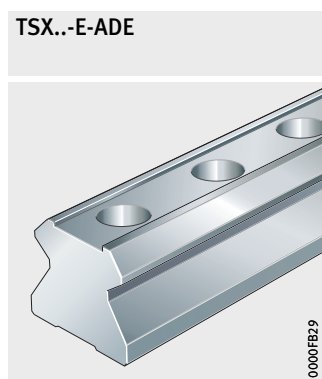
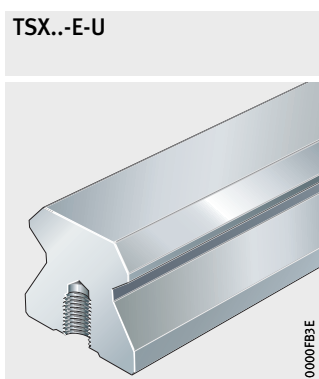
# Product overview Linear recirculating roller bearing and guideway assemblies

## Guideways

Standard  
or  
for steel closing plugs



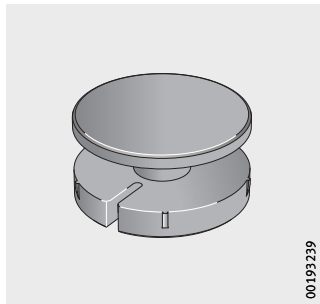
For screw mounting from below  
or  
with slot for covering strip



## Standard accessories

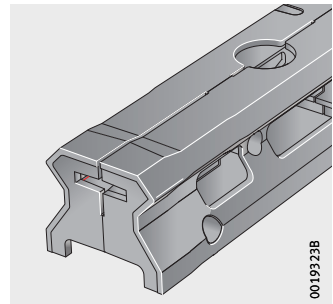
Plastic closing plugs  
Dummy guideway

KA...-TN/B



00193239

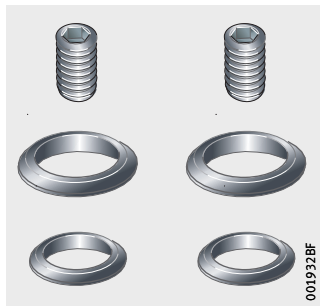
MSX...-F



00193238

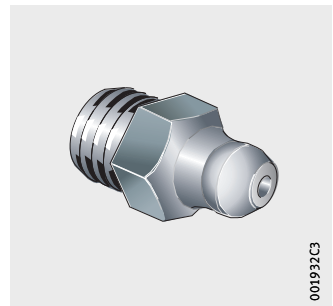
Mounting set  
Lubrication connector

M-Satz



0019328F

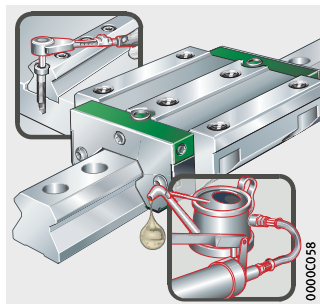
S25



001932C3

Mounting manual

MON 30



0000C058

# Linear recirculating roller bearing and guideway assemblies RUE-F

**Features** Linear recirculating roller bearing and guideway assemblies RUE..-F and linear recirculating roller bearing and guideway assemblies RUE..-E are 100% interchangeable. Linear recirculating roller bearing and guideway assemblies RUE..-F are available in sizes 35 to 65. Sizes 25 and 100 are available in version RUE..-E, see table.

**Sizes for RUE..-F and RUE..-E**

Size	Linear recirculating roller bearing and guideway assembly
25	RUE25-E
35	RUE35-F
45	RUE45-F
55	RUE55-F
65	RUE65-F
100	RUE100-E

**Carriages** The carriages have saddle plates made from hardened steel and the rolling element raceways are precision ground. The cylindrical rollers are recirculated in enclosed channels with plastic return elements.

**Interchangeability** Carriages RWU..-F and RWU..-E are 100% interchangeable. The outer and mounting dimensions of carriages RWU..-F and RWU..-E are identical for carriages of the same size. The guideways remain unchanged and are also used with carriages RWU..-F, with the result that no changes to the adjacent construction are required.

**Guideways** The guideways are made from hardened steel and are ground on all faces, the rolling element raceways are precision ground.

**Location from above or below** Guideways TSX..-E (-ADE) are located from above and have through holes with counterbores for the fixing screws. Guideways TSX..-E-U are located from below and have threaded blind holes.

**Slot for covering strip** Guideways TSX..-E-ADE have a slot for the insertable steel covering strip ADE, see dimension tables.

**Catalogue PF 1** ■ Catalogue PF 1 ► <https://www.schaeffler.de/std/1F7E>.

## Standard accessories

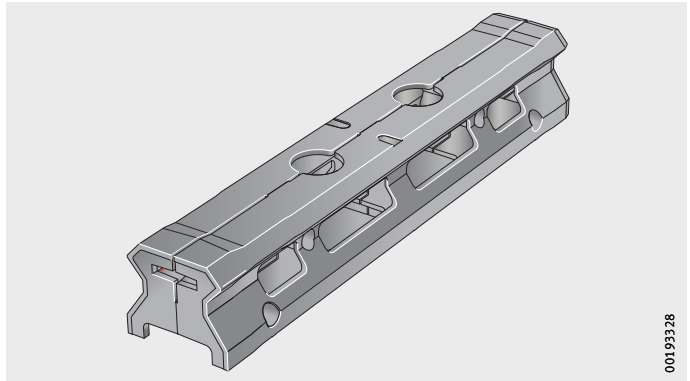
The scope of delivery includes various accessory parts as standard.

### Dummy guideway

The plastic dummy guideway prevents damage to the rolling element set and prevents the rolling elements from falling out if the carriage is removed from the guideway, *Figure 1*.



The dummy guideway must be used at all times when fitting and dismantling the carriage.



*Figure 1*  
Dummy guideway  
MSX...F

Catalogue PF 1

■ Catalogue PF 1 ► <https://www.schaeffler.de/std/1F7E>.

# Linear recirculating roller bearing and guideway assemblies RUE-F

## Plastic closing plugs

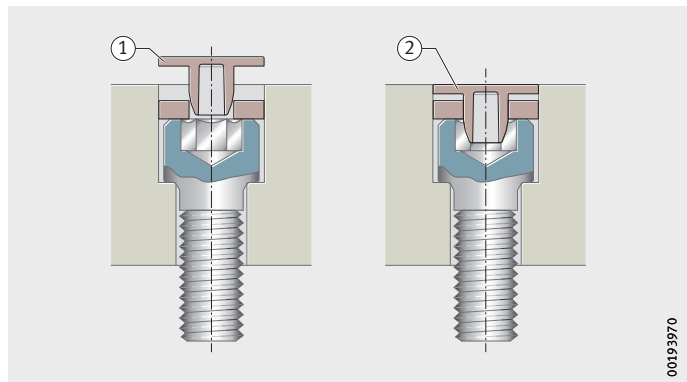
The scope of delivery includes one-piece/two-piece plastic closing plugs KA..-TN/B, which close off the counterbores of the guideway holes flush with the surface of the guideway.

The one-piece/two-piece closing plug KA..-TN/B comprises a closing plug, with a clinch ring connected to it. The clinch ring guides the closing plug and ensures ideal alignment with the guideway surface. Retaining lugs on the circumference of the clinch ring ensure a firm and secure hold in the fixing hole, allowing the closing plug to be easily mounted in all spatial directions. The one-piece/two-piece plastic closing plug KA..-TN/B is very easy to use, particularly in overhead and wall mounting or where long guideways are used.

The closing plug can be fitted securely and with minimal effort with the aid of a hammer and press-in block. After fitting, a minimal visible ring gap remains.

- ① Closing plug, inserted
- ② Closing plug, knocked in

*Figure 2*  
One-piece/two-piece closing plug KA..-TN/B



Optionally, brass or steel closing plugs are also available, see catalogue PF 1.

## Mounting set M-Satz

The delivery of RUE..-F includes the mounting set M-Satz. This comprises:

- O rings for sealing purposes if relubrication is carried out from above via the adjacent construction
- grub screws for closing off the relubrication holes from above

## Lubrication connector

The standard lubrication connector S25 for mounting on the end face or side of the end piece is included in the scope of delivery. If a different lubrication connector is selected when ordering, this is included instead of the standard lubrication connector.

## Catalogue PF 1

- Catalogue PF 1 ► <https://www.schaeffler.de/std/1F7E>.



## Other accessories

Other accessories include damping carriages or braking and clamping elements, see catalogue PF 1.

## Sealing

The end pieces of the carriages are fitted on both sides with non-contact, corrosion-resistant end plates and elastic end wipers that retain the lubricant in the system and protect the carriage against the ingress of contamination from outside.

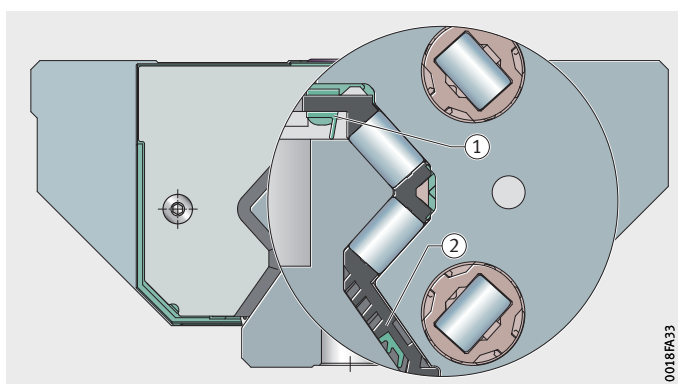
Standard sealing strips and an additional lower sealing strip with labyrinth seal ensure reliable sealing and protect the rolling element system against contamination, even in demanding environmental conditions, *Figure 3*.



Under extremely heavy contamination load, additional wipers can be fitted, see catalogue PF 1.

Where necessary, additional covers must be used.

- ① Upper sealing strip
- ② Lower sealing strip with labyrinth seal



*Figure 3*  
Upper and lower sealing strips

Catalogue PF 1

■ Catalogue PF 1 ► <https://www.schaeffler.de/std/1F7E>.

# Linear recirculating roller bearing and guideway assemblies RUE-F

**Lubrication** Linear recirculating roller bearing and guideway assemblies RUE...-F are suitable for oil and grease lubrication. The standard lubrication connector S25 for grease is included in the delivery. Optionally, other lubrication connectors are available, see catalogue PF 1.

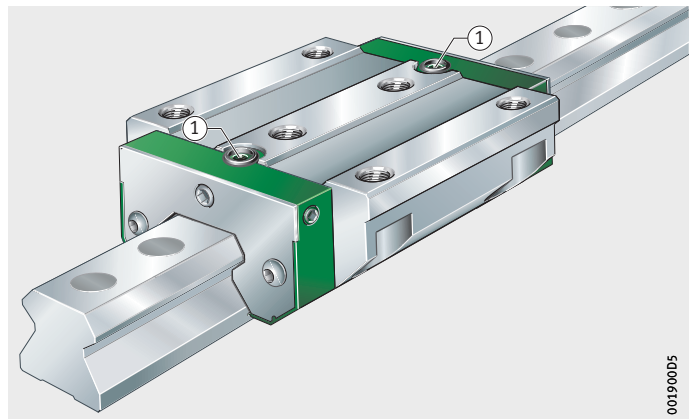
If a different lubrication connector is selected when ordering, this is included instead of the standard lubrication connector. Lubrication is optimised by accessories such as lubricant quantity metering valves (SMDS), long term lubrication units (KIT series 400) and the lubricant quantity metering unit (KIT series 500).

The lubrication connectors can be screw mounted into the end piece on the right, left or end face. The relubrication holes in the end faces and sides are closed off by means of grub screws. Before the lubrication connector is screwed in, the corresponding grub screw must be removed.



If relubrication is carried out from above, it must be ensured that the adjacent construction completely covers the carriage (including the end pieces) and the O rings for sealing off the relubrication hole from above are inserted, *Figure 4*. Otherwise, lubricant may escape through the upper lubrication hole.

If the upper relubrication holes are not used, these can be closed off using grub screws. Grub screws GSTI for closing off the upper relubrication hole are included with the mounting set M-Satz.



① Upper relubrication hole with O ring

*Figure 4*  
Relubrication hole



If lubrication connectors are fitted on the end or side, the maximum permissible screw depth must be observed, see dimension tables. If additional sealing elements KIT are used, the screw depth is increased for the end relubrication facility.

The standard lubrication connector is then no longer usable. Suitable lubrication connectors must additionally be taken into consideration when ordering, see catalogue PF 1.

Catalogue PF 1 ■ Catalogue PF 1 ► <https://www.schaeffler.de/std/1F7E>.

**Technical data** Technical data that are not specified in this description, such as load carrying capacity, acceleration and velocity, preload classes or accuracy classes, are as stipulated for RUE..-E, see catalogue PF 1.

**Catalogue PF 1** ■ Catalogue PF 1 ► <https://www.schaeffler.de/std/1F7E>.

# Linear recirculating roller bearing and guideway assemblies RUE-F

## Ordering example, ordering designation

Unit, guideway with asymmetrical hole pattern:	
Linear recirculating roller bearing and guideway assembly	RUE-F
Size	45
Carriage type	L
Number of carriages per guideway set	W2
Preload	V3
Accuracy class	G2
Length of guideway	1540 mm
$a_L$	20 mm
$a_R$	50 mm
Closing method	Covering strip ADE

## Ordering designation

Ordering designation provided by the customer and in the order confirmation (with sample letter code):  
**1×RUE45-F-L-ADE-W2-1540/20/50-V3-G2, Figure 5**  
**1×RUE45-F-L-ADE-W2-1540/AAAC, Figure 6**

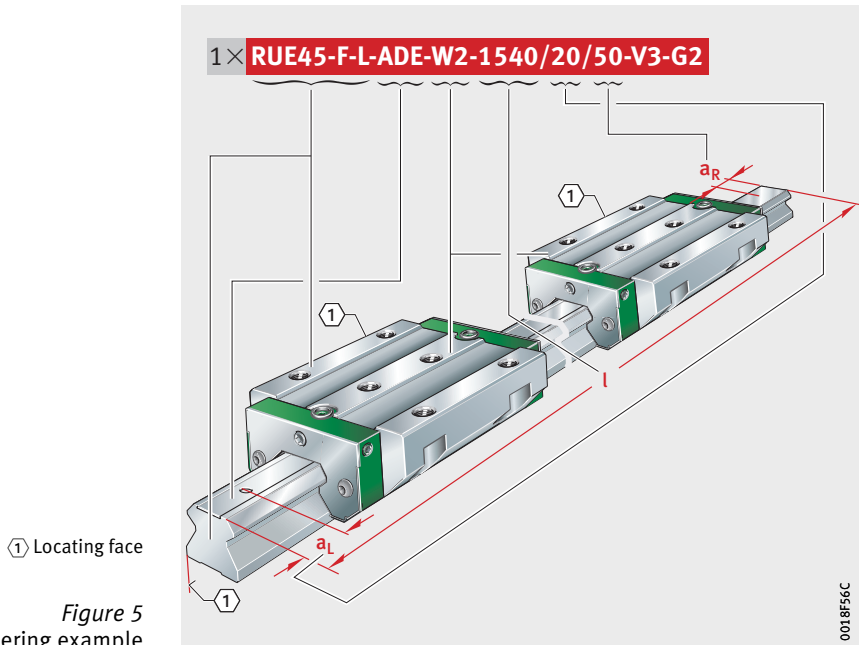


Figure 5  
Ordering example

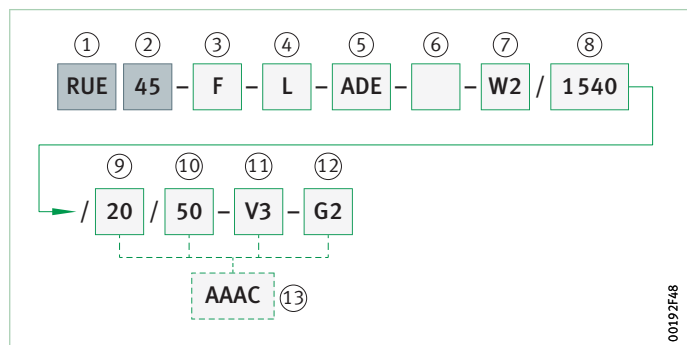


Figure 6  
Structure of the ordering designation, example based on one guideway set

**Structure of  
the ordering designation**

Feature	Code	Description
① Designation	RUE	Linear recirculating roller bearing and guideway assembly
② Size	25	RUE25-E
	35	RUE35-F
	45	RUE45-F
	55	RUE55-F
	65	RUE65-F
	100	RUE100-E
③ Version	E	Sizes 25 and 100 in version RUE...-E
	F	Sizes 35 to 65 in version RUE...-F
④ Carriage type	–	Standard
	H	High carriage
	HL	High, long carriage
	L	Long carriage
	SL	Narrow, long carriage
⑤ Guideway design	–	Closing plugs as closing method or hole pattern from below
	ADE	Guideway with slot for covering strip (including covering strip and MSATZ.ADE)
⑥ Guideway location	–	Hole pattern from above
	U	Hole pattern from below (not specified for guideway design)
⑦ Number of carriages per guideway set	W1 up to W10	The number indicates the number of carriages. A maximum of 10 carriages per guideway set is possible.
⑧ Length requested by the customer	1540 (example)	Guideway length in mm. Maximum length of single-piece guideways, see dimension tables.
⑨ Spacing $a_L$	–	Symmetrical hole pattern ( $a_R$ not specified)
	20 (example)	Spacing to hole on the left in mm ( $a_R$ must also be specified)
⑩ Spacing $a_R$	–	Symmetrical hole pattern ( $a_L$ not specified)
	50 (example)	Spacing to hole on the right in mm ( $a_L$ must also be specified)
⑪ Preload	–	Standard V3
	V1 to V5	Specification if different from standard
⑫ Accuracy	–	Standard G2
	G0 to G3	Specification if different from standard
⑬ Letter code	AAAC (example)	These features are stored in a four-digit letter code in the order confirmation.

# Linear recirculating roller bearing and guideway assemblies

Full complement  
Standard and L carriages

**Dimension table** · Dimensions in mm

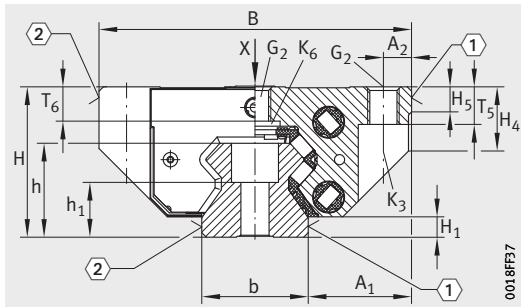
Designation <sup>1)</sup>	Dimensions				Mounting dimensions										a <sub>L</sub> , a <sub>R</sub> <sup>5)</sup>	
	l <sub>max</sub> <sup>3)</sup>	H	B	L <sup>4)</sup>	A <sub>1</sub>	J <sub>B</sub>	b	A <sub>2</sub>	L <sub>1</sub>	L <sub>S</sub>	J <sub>L</sub>	J <sub>LZ</sub>	j <sub>L</sub>	min.		
														-0,005 -0,035		
<b>RUE35-F</b>	5 900	48	100	122,9	33	82	34	9	85,2	2,2	62	52	40	20	31	
<b>RUE35-F-L</b>				148,8					111							
<b>RUE45-F</b>	5 888	60	120	145,9	37,5	100	45	10	104,2	2,2	80	60	52,5	20	41	
<b>RUE45-F-L</b>				178,3					136,6							
<b>RUE55-F</b>	5 880	70	140	172,7	43,5	116	53	12	127	2,75	95	70	60	20	47	
<b>RUE55-F-L</b>				210,7					165							
<b>RUE65-F</b>	5 865	90	170	195,5	53,5	142	63	14	141,2	2,75	110	82	75	20	61	
<b>RUE65-F-L</b>				261,9					207,6							

For further table values, see page 14 and page 15.

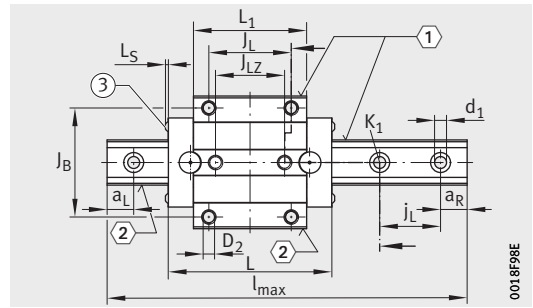
① Locating face. ② Marking. ③ Fixing screw.

Catalogue PF 1 ► <https://www.schaeffler.de/std/1F7E>.

- 1) Sizes 25 and 100 are still available, see catalogue PF 1.
- 2) The stated torques represent maximum values for the secure transmission of forces in vibration-free, quasistatic applications ( $S_0 = 1$ ). We recommend that the tightening torques for the screw connection of the adjacent construction should be determined at the customer under the conditions specific to the application and operation, observing the information in VDI Guideline 2230 Part 1 (2015) and the information in catalogue PF 1.
- 3) Maximum length of single-piece guideways.  
Permissible number of guideway segments, see catalogue PF 1.
- 4) Minimum covered length for sealing the upper lubrication connectors.
- 5) a<sub>L</sub> and a<sub>R</sub> are dependent on the guideway length.



RUE..-F, RUE..-F-L

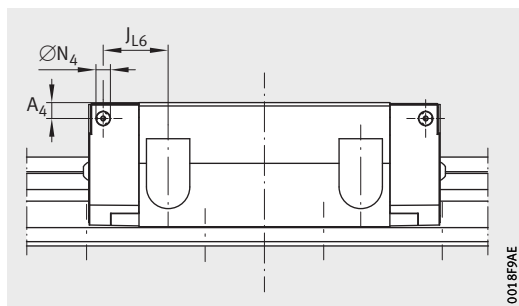


RUE..-F, RUE..-F-L  
View X rotated 90°

								Fixing screws <sup>2)</sup>										
H <sub>1</sub>	H <sub>5</sub>	H <sub>4</sub>	T <sub>5</sub>	T <sub>6</sub>	h	h <sub>1</sub>	G <sub>2</sub>		K <sub>1</sub>		K <sub>3</sub>		K <sub>6</sub>		d <sub>1</sub>	D <sub>2</sub>		
							DIN EN ISO 4762-12.9										DIN 7984-8.8	
								M <sub>A</sub>		M <sub>A</sub>		M <sub>A</sub>		M <sub>A</sub>				M <sub>A</sub>
								Nm		Nm		Nm		Nm				
6,5	8	20,5	12	10,9	30	17,5	M10	41	M8	41	M8	41	M8	24	9	8,6		
8,5	8	26	15	13,2	38	19,5	M12	83	M12	140	M10	83	M10	48	13,4	10,6		
11	12	32	18	14,8	45	22,5	M14	140	M14	220	M12	140	M12	83	15,4	12,5		
11,5	15	39,2	23,3	23,3	53,8	28,8	M16	220	M16	340	M14	220	M14	130	18	14,5		

# Linear recirculating roller bearing and guideway assemblies

Full complement  
Standard and L carriages



Lubrication connector on lateral face

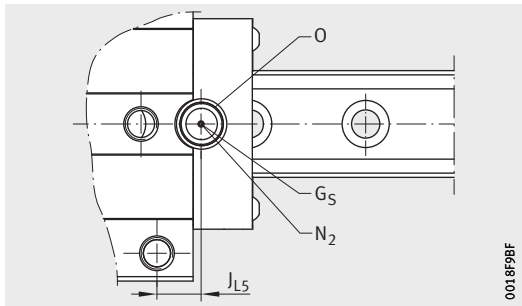
**Dimension table** (continued) - Dimensions in mm

Designation	Carriage		Guideway		Lubrication connectors				
	Designation	Mass m ≈ kg	Designation	Mass m ≈ kg/m	A <sub>3</sub>	N <sub>3</sub> <sup>1)</sup>	A <sub>4</sub>	N <sub>4</sub> <sup>1)</sup>	J <sub>L6</sub>
<b>RUE35-F</b>	RWU35-F	1,75	TSX35-E	5,9	6,6	M6	5,6	M6	24,4
<b>RUE35-F-L</b>	RWU35-F-L	2,29							37,4
<b>RUE45-F</b>	RWU45-F	3,07	TSX45-E	9,4	6,6	M6	6,6	M6	27
<b>RUE45-F-L</b>	RWU45-F-L	4,05							43,2
<b>RUE55-F</b>	RWU55-F	5,24	TSX55-E	13,1	8,1	M6	8,1	M6	32,9
<b>RUE55-F-L</b>	RWU55-F-L	6,83							51,9
<b>RUE65-F</b>	RWU65-F	9,32	TSX65-E	19,5	19,6	M6	19,6	M6	34,8
<b>RUE65-F-L</b>	RWU65-F-L	13,8							68,1

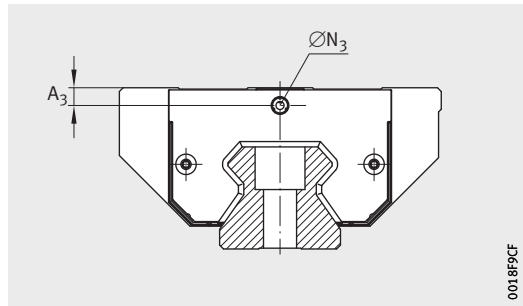
Catalogue PF 1 ► <https://www.schaeffler.de/std/1F7E>.

- 1) Maximum screw depth in end piece 6 mm.
- 2) Maximum diameter of lubrication hole in adjacent construction.
- 3) Position of lubrication hole in adjacent construction.
- 4) The basic load rating can only be transmitted fully if the whole thread length is used and the adjacent construction is dimensioned appropriately.
- 5) Lubrication connector S25 (standard) or an alternatively selected lubrication connector is included loose in the delivery.



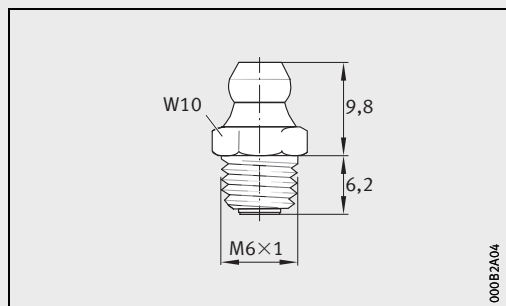


Lubrication connector on top face

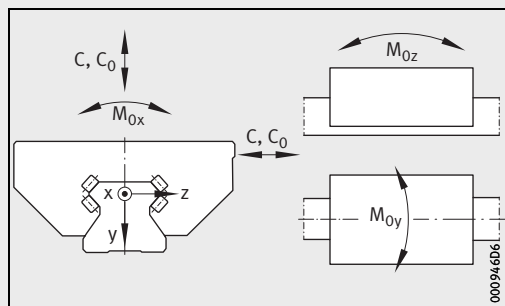


Dimensioning of lubrication connector on end face

$N_2^{2)}$	$J_{L5}^{3)}$	$G_5$ DIN EN ISO 4027	O DIN 3771	Load carrying capacity				
				Basic load ratings <sup>4)</sup>		Moment ratings		
				dyn. $C$ N	stat. $C_0$ N	$M_{0x}$ Nm	$M_{0y}$ Nm	$M_{0z}$ Nm
6	14,3	M4×4	10×1,5	59 000	140 000	1 200	2 150	1 950
	27,2			70 000	175 000	1 500	3 350	3 000
6	15,7	M4×4	10×1,5	92 000	215 000	1 899	4 255	3 821
	31,9			114 000	285 000	2 503	7 263	6 536
6	21,6	M4×4	10×1,5	136 000	320 000	3 287	7 404	6 667
	40,6			167 000	415 000	4 226	12 214	11 010
6	15,6	M4×4	18×1,5	200 000	435 000	5 450	12 100	10 900
	48,8			270 000	640 000	7 600	24 000	21 500



Lubrication connector S25 to DIN 71412-A-M6<sup>5)</sup>



Load directions

# Linear recirculating roller bearing and guideway assemblies

Full complement  
H, HL and SL carriages

**Dimension table** · Dimensions in mm

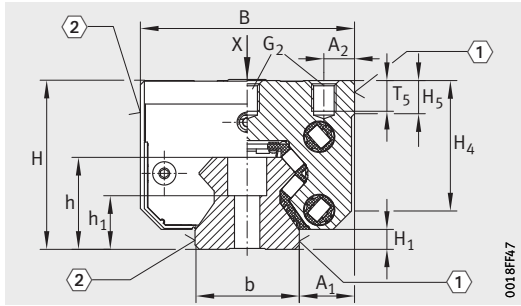
Designation <sup>1)</sup>	Dimensions				Mounting dimensions									
	l <sub>max</sub> <sup>3)</sup>	H	B	L <sup>4)</sup>	A <sub>1</sub>	J <sub>B</sub>	b	A <sub>2</sub>	L <sub>1</sub>	L <sub>S</sub>	J <sub>L</sub>	j <sub>L</sub>	a <sub>L</sub> , a <sub>R</sub> <sup>5)</sup>	
													min.	max.
<b>RUE35-F-H</b>	5 900	55	70	122,9	18	50	34	10	85,2	2,2	50	40	20	31
<b>RUE35-F-HL</b>				148,7					111		72			
<b>RUE45-F-H</b>	5 888	70	86	145,9	20,5	60	45	13	104,2	2,2	60	52,5	20	41
<b>RUE45-F-HL</b>				178,3					136,6		80			
<b>RUE55-F-H</b>	5 880	80	100	172,7	23,5	75	53	12,5	127	2,75	75	60	20	47
<b>RUE55-F-HL</b>				210,7					165		95			
<b>RUE65-F-H</b>	5 865	100	126	195,5	31,5	76	63	25	141,2	2,75	70	75	20	61
<b>RUE65-F-HL</b>				261,9					207,6		120			
<b>RUE65-F-SL</b>	2 730	90	126	261,9	31,5	76	63	25	207,6	2,75	120	75	20	61

For further table values, see page 18 and page 19.

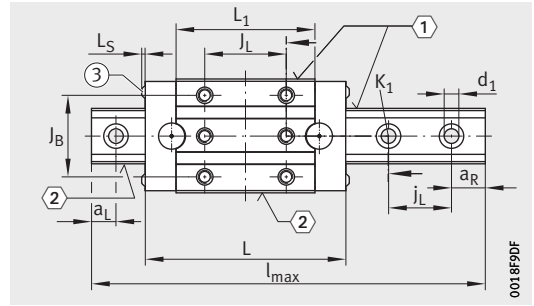
① Locating face. ② Marking. ③ Fixing screw.

Catalogue PF 1 ► <https://www.schaeffler.de/std/1F7E>.

- 1) Sizes 25 and 100 are still available, see catalogue PF 1.
- 2) The stated torques represent maximum values for the secure transmission of forces in vibration-free, quasistatic applications ( $S_0 = 1$ ). We recommend that the tightening torques for the screw connection of the adjacent construction should be determined at the customer under the conditions specific to the application and operation, observing the information in VDI Guideline 2230 Part 1 (2015) and the information in catalogue PF 1.
- 3) Maximum length of single-piece guideways.  
Permissible number of guideway segments, see catalogue PF 1.
- 4) Minimum covered length for sealing the upper lubrication connectors.
- 5)  $a_L$  and  $a_R$  are dependent on the guideway length.



RUE..-F-H, RUE..-F-HL, RUE..-F-SL

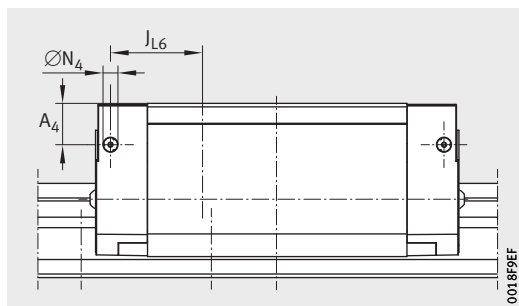


RUE..-F-H, RUE..-F-HL, RUE..-F-SL  
View X rotated 90°

						Fixing screws <sup>2)</sup>				
H <sub>1</sub>	H <sub>5</sub>	H <sub>4</sub>	T <sub>5</sub>	h	h <sub>1</sub>	G <sub>2</sub>		K <sub>1</sub>		d <sub>1</sub>
						DIN EN ISO 4762-12.9				
					±0,5	M <sub>A</sub>	M <sub>A</sub>	M <sub>A</sub>	M <sub>A</sub>	
						Nm	Nm	Nm	Nm	
6,5	10,8	41,9	10	30	17,5	M8	41	M8	41	9
8,5	13,7	52,4	12,5	38	19,5	M10	83	M12	140	13,4
11	16	61,4	15	45	22,5	M12	140	M14	220	15,4
11,5	15	71,2	20	53,8	28,8	M14	220	M16	340	18
11,5	15	61,2	12,5	53,8	28,8	M16	340	M16	340	18

# Linear recirculating roller bearing and guideway assemblies

Full complement  
H, HL and SL carriages



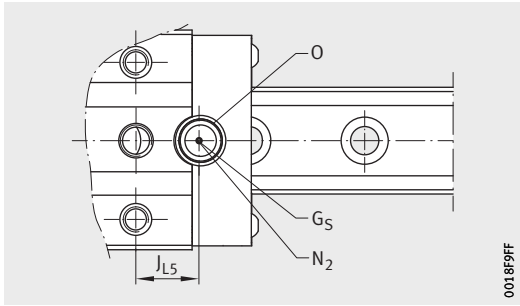
Lubrication connector on lateral face

**Dimension table** (continued) · Dimensions in mm

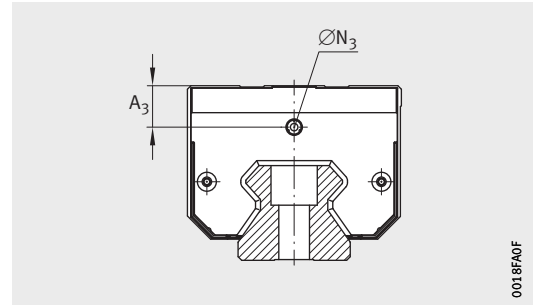
Designation	Carriage		Guideway		Lubrication connectors				
	Designation	Mass m ≈ kg	Designation	Mass m ≈ kg/m	A <sub>3</sub>	N <sub>3</sub> <sup>1)</sup>	A <sub>4</sub>	N <sub>4</sub> <sup>1)</sup>	J <sub>L6</sub>
<b>RUE35-F-H</b>	RWU35-F-H	1,67	TSX35-E	5,9	13,6	M6	12,6	M6	30,4
<b>RUE35-F-HL</b>	RWU35-F-HL	2,14							32,4
<b>RUE45-F-H</b>	RWU45-F-H	3,05	TSX45-E	9,4	16,6	M6	16,6	M6	37
<b>RUE45-F-HL</b>	RWU45-F-HL	3,95							43,2
<b>RUE55-F-H</b>	RWU55-F-H	4,94	TSX55-E	13,1	18,1	M6	18,1	M6	42,9
<b>RUE55-F-HL</b>	RWU55-F-HL	6,34							51,9
<b>RUE65-F-H</b>	RWU65-F-H	8,9	TSX65-E	19,5	29,6	M6	29,6	M6	54,8
<b>RUE65-F-HL</b>	RWU65-F-HL	12,89							63,1
<b>RUE65-F-SL</b>	RWU65-F-SL	10,8	TSX65-E	19,5	19,6	M6	19,6	M6	63,1

Catalogue PF 1 ► <https://www.schaeffler.de/std/1F7E>.

- 1) Maximum screw depth in end piece 6 mm.
- 2) Maximum diameter of lubrication hole in adjacent construction.
- 3) Position of lubrication hole in adjacent construction.
- 4) The basic load rating can only be transmitted fully if the whole thread length is used and the adjacent construction is dimensioned appropriately.
- 5) Lubrication connector S25 (standard) or an alternatively selected lubrication connector is included loose in the delivery.

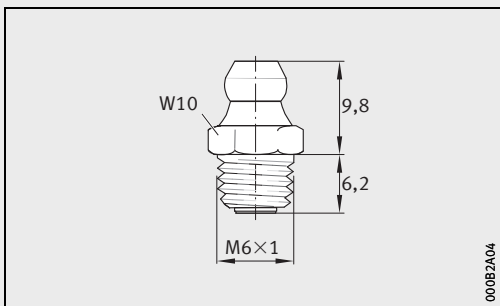


Lubrication connector on top face

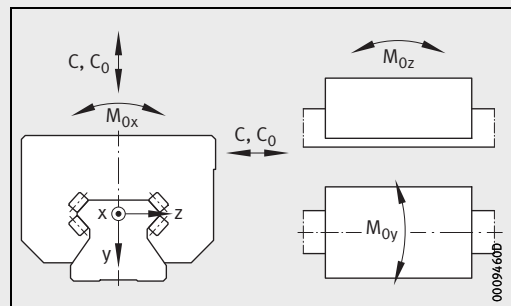


Dimensioning of lubrication connector on end face

N <sub>2</sub> <sup>2)</sup>	JL <sub>5</sub> <sup>3)</sup>	G <sub>5</sub> DIN EN ISO 4027	O DIN 3771	Load carrying capacity				
				Basic load ratings <sup>4)</sup>		Moment ratings		
				dyn. C N	stat. C <sub>0</sub> N	M <sub>0x</sub> Nm	M <sub>0y</sub> Nm	M <sub>0z</sub> Nm
6	20,3	M4×4	10×1,5	59 000	140 000	1 200	2 150	1 950
	22,2			70 000	175 000	1 500	3 350	3 000
6	25,7	M4×4	10×1,5	92 000	215 000	1 899	4 255	3 821
	31,9			114 000	285 000	2 503	7 263	6 536
6	31,6	M4×4	10×1,5	136 000	320 000	3 287	7 404	6 667
	40,6			167 000	415 000	4 226	12 214	11 010
6	35,6	M4X4	18×1,5	200 000	435 000	5 450	12 100	10 900
	43,8			270 000	640 000	7 600	24 000	21 500
6	43,8	M4X4	18×1,5	270 000	640 000	7 600	24 000	21 500



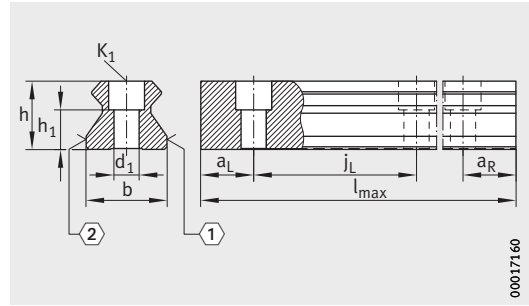
Lubrication connector S25 to DIN 71412-A-M6<sup>5)</sup>



Load directions

# Linear recirculating roller bearing and guideway assemblies

Guideways and closing methods



TSX...E

00017160

**Dimension table** · Dimensions in mm

Designation <sup>1)</sup>	For linear guidance system	Mass m  ≈ kg/m	Closing plug <sup>2)</sup>				Steel two-piece	Covering strip <sup>3)</sup> Inserted	
			Plastic <sup>5)</sup> two-piece	Brass one-piece	two-piece	conical			
<b>TSX35-E</b>	RUE35-F	5,9	KA15-TN/B	KA15-M	KA15-M/A	KA15-M-konisch	–	ADE17	
<b>TSX35-E-KA+ST</b>			–	–	–	–	KA16-ST/A		–
<b>TSX35-E-U</b>			–	–	–	–	–		–
<b>TSX35-E-ADE</b>			–	–	–	–	–		–
<b>TSX45-E</b>	RUE45-F	9,4	KA20-TN/B	KA20-M	KA20-M/A	KA20-M-konisch	–	ADE22	
<b>TSX45-E-KA+ST</b>			–	–	–	–	KA21-ST/A		–
<b>TSX45-E-U</b>			–	–	–	–	–		–
<b>TSX45-E-ADE</b>			–	–	–	–	–		–

① Locating face. ② Marking.

Catalogue PF 1 ► <https://www.schaeffler.de/std/1F7E>.

1) Sizes 25 and 100 are still available, see catalogue PF 1.

2) Closing plugs, see catalogue PF 1.

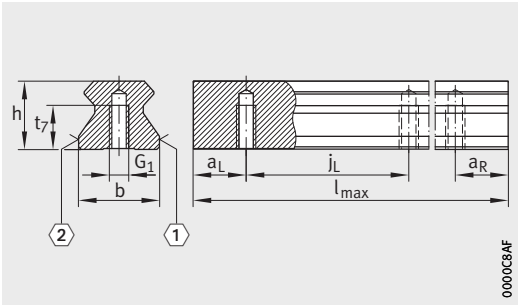
3) Covering strips, see Product Data Sheet PDB ADE ► <https://www.schaeffler.de/std/1F88>.

4) The stated torques represent maximum values for the secure transmission of forces in vibration-free, quasistatic applications ( $S_0 = 1$ ). We recommend that the tightening torques for the screw connection of the adjacent construction should be determined at the customer under the conditions specific to the application and operation, observing the information in VDI Guideline 2230 Part 1 (2015) and the information in catalogue PF 1.

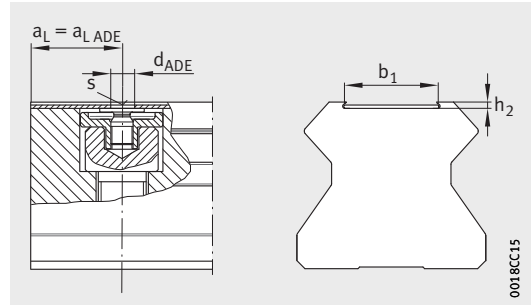
5) Standard.

6) Maximum length of single-piece guideways.  
Permissible number of guideway segments, see catalogue PF 1.

7)  $a_L$  and  $a_R$  are dependent on the guideway length.

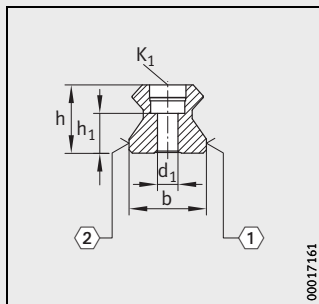


TSX..-E-U

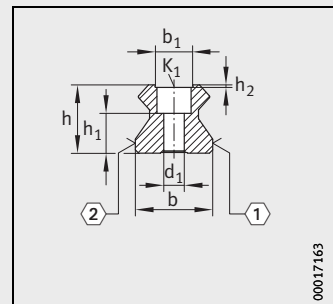


MSATZ.ADE and covering strip

MSATZ.ADE	Dimensions		Dimensions									Fixing screws <sup>4)</sup>					
	d <sub>ADE</sub>	S	l <sub>max</sub> <sup>6)</sup>	h	b	a <sub>L</sub> , a <sub>R</sub> <sup>7)</sup>		j <sub>L</sub>	h <sub>1</sub>	t <sub>7</sub>	b <sub>1</sub>	h <sub>2</sub>	G <sub>1</sub>		K <sub>1</sub>		d <sub>1</sub>
						min.	max.						DIN EN ISO 4762-12.9				
													MA		MA		
-	-	-	5 900	30	34	20	31	40	17,5	-	-	-	-	-	M8	41	9
-	-	-								15			-	-	M8	41	-
MSATZ.ADE17	4,3	2								17,5	1,1	-	-	M8	41	9	
-	-	-	5 888	38	45	20	41	52,5	19,5	-	-	-	-	-	M12	140	13,4
-	-	-								20			-	-	M12	140	-
MSATZ.ADE22	4,3	2								-	22,6	1,1	-	-	M12	120	13,4



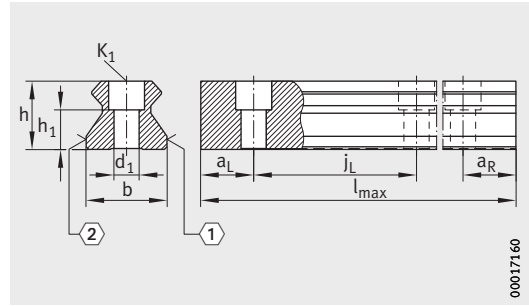
TSX..-E-KA+ST



TSX..-E-ADE

# Linear recirculating roller bearing and guideway assemblies

Guideways and closing methods



TSX...E

**Dimension table** (continued) · Dimensions in mm

Designation <sup>1)</sup>	For linear guidance system	Mass m  ≈ kg/m	Closing plug <sup>2)</sup>				Covering strip <sup>3)</sup>		
			Plastic <sup>5)</sup>		Brass		Steel two-piece	Inserted	
			two-piece	one-piece	two-piece	conical			
<b>TSX55-E</b>	RUE55-F	13,1	KA24-TN/B	KA24-M	KA24-M/A	KA24-M-konisch	–	ADE26	
<b>TSX55-E-KA+ST</b>			–	–	–	–	KA25-ST/A		–
<b>TSX55-E-U</b>			–	–	–	–	–		–
<b>TSX55-E-ADE</b>			–	–	–	–	–		–
<b>TSX65-E</b>	RUE65-F	19,5	–	KA26-M	–	KA26-M-konisch	–	ADE28	
<b>TSX65-E-KA+ST</b>			–	–	–	–	KA27-ST/A		–
<b>TSX65-E-U</b>			–	–	–	–	–		–
<b>TSX65-E-ADE</b>			–	–	–	–	–		–

① Locating face. ② Marking.

Catalogue PF 1 ► <https://www.schaeffler.de/std/1F7E>.

1) Sizes 25 and 100 are still available, see catalogue PF 1.

2) Closing plugs, see catalogue PF 1.

3) Covering strips, see Product Data Sheet PDB ADE ► <https://www.schaeffler.de/std/1F88>.

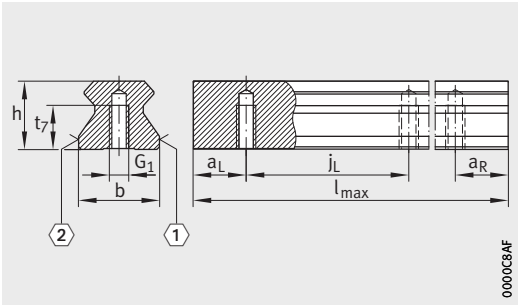
4) The stated torques represent maximum values for the secure transmission of forces in vibration-free, quasistatic applications ( $S_0 = 1$ ). We recommend that the tightening torques for the screw connection of the adjacent construction should be determined at the customer under the conditions specific to the application and operation, observing the information in VDI Guideline 2230 Part 1 (2015) and the information in catalogue PF 1.

5) Standard.

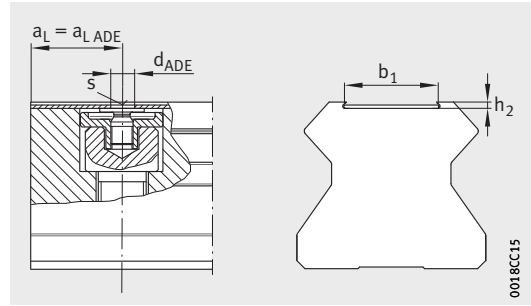
6) Maximum length of single-piece guideways.  
Permissible number of guideway segments, see catalogue PF 1.

7)  $a_L$  and  $a_R$  are dependent on the guideway length.



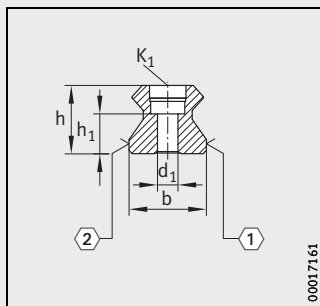


TSX..-E-U

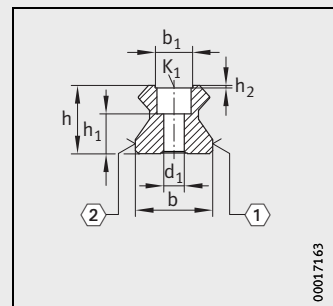


MSATZ.ADE and covering strip

MSATZ.ADE	Dimensions		Dimensions									Fixing screws <sup>4)</sup>					
	d <sub>ADE</sub>	S	l <sub>max</sub> <sup>6)</sup>	h	b	a <sub>L</sub> , a <sub>R</sub> <sup>7)</sup>		j <sub>L</sub>	h <sub>1</sub>	t <sub>7</sub>	b <sub>1</sub>	h <sub>2</sub>	G <sub>1</sub>		K <sub>1</sub>		d <sub>1</sub>
						DIN EN ISO 4762-12.9							M <sub>A</sub>	M <sub>A</sub>			
															Nm	Nm	
-	-	-	5 880	45	53	20	47	60	22,5	-	-	-	-	M14	220	15,4	
MSATZ.ADE26	4,3	2								-	22	-	-	M14	220	-	-
-	-	-	5 865	53,8	63	20	61	75	28,8	-	-	-	-	M16	340	18	
MSATZ.ADE28	4,3	2								-	25	-	-	M16	340	-	-



TSX..-E-KA+ST



TSX..-E-ADE

**Schaeffler Technologies**

**AG & Co. KG**

Industrial Automation  
Berliner Straße 134  
66424 Homburg (Saar)  
Germany  
[www.schaeffler.de/en](http://www.schaeffler.de/en)  
[info.industrialautomation@schaeffler.com](mailto:info.industrialautomation@schaeffler.com)  
[schaeffler.com](http://schaeffler.com)

In Germany:

Phone 0180 5003872

From other countries:

Phone +49 9721 91-0

All information has been carefully compiled and checked by us, but we cannot guarantee complete accuracy. We reserve the right to make corrections. Therefore, please always check whether more up-to-date or amended information is available. This publication supersedes all deviating information from older publications. Printing, including excerpts, is only permitted with our approval.  
© Schaeffler Technologies AG & Co. KG  
TPI 272 / en-GB / DE / 2021-06