



OPTIME C1

Technical data

OPTIME C1

Features OPTIME C1 is an easy to use and economical solution for automatic single point lubrication. OPTIME C1 represents a further expansion of the Schaeffler OPTIME system developed for the condition monitoring of rolling bearings and integrates the lubricators of series CONCEPT1.

During the development of the system, particular attention was paid to the very simple commissioning process, smooth expandability and wide range of possible uses. The effort on the part of the user was kept as low as possible for each individual process step. As a result of these characteristics, Schaeffler OPTIME is particularly suitable for the automated and economical monitoring and lubrication of a large number of machines.

Digital Service The overall solution is a combination of hardware (lubricator, cartridge) and the corresponding software (Digital Service), which can be accessed using the Digital Service Tenant, and enables the user to display the current status of the lubricator (for example, the fill level of the cartridge, battery capacity) at any time on a mobile device or in a browser. This allows optimum planning of maintenance activities and helps to prevent failures due to defective lubrication.

Advantages Advantages of OPTIME C1:

- status of the lubrication devices can be checked at any time and from anywhere
- economical and reliable relubrication
- reliable lubrication reduces the number of failures and downtimes
- hidden costs are avoided, as regular maintenance and inspection rounds are no longer required
- extended bearing life as a result of optimised and controlled lubrication
- guided and simple installation, commissioning and maintenance.

OPTIME C1

Product features

Product features of OPTIME C1:

- status and fill level information at a glance
- automatic alarm activation in the event of unusual operating conditions
- simple commissioning and adjustment of the settings for each lubricator
- optimised maintenance and routing
- pressure build-up to 10 bar
- rapid cartridge replacement possible, as the cartridge is screwed directly onto the OPTIME C1
- user guidance available in several languages
- battery pack included



Figure 1
OPTIME C1
with battery pack

Ordering designation, ordering number

Article	Ordering number	Ordering designation
OPTIME C1	096687592-0000-10	OPTIME-LW-C1#N10
Battery pack	096687606-0000-10	OPTIME-LW-C1.BATTERY#N10
Digital Service	096927089-0000	OPTIME-DIGSERV-LUB
Digital Service Tenant	095259724-0000	OPTIME-DIGSERV-BASEFEE

**Technical data
OPTIME C1**

Designation	Value	Unit	
Function OPTIME C1			
Drive system	Electro-mechanical	–	
Operating pressure	≤ 10	bar	
Metering volume per lubrication interval	≈ 0,5	cm ³	
Metering volume per day (dependent on size and setting of CONCEPT1)	0,17 up to 8,3	cm ³	
Commissioning	NFC	–	
Cartridge CONCEPT1			
Dispensing time (steplessly adjustable)	1 up to 12	months	
Lubricant volume	60 or 125	cm ³	
Lubricant	Grease	≤ NLGI 2	–
	Oil	> 68	mm ² /s
Communication			
Wirepas Mesh (ISM band)	2,4	GHz	
Line of sight range	100	m	
Electrical characteristics			
Power supply (battery pack)	6	V	
	2,3	Ah	
Other characteristics			
Mounting position	As required	–	
Threaded connector	G ¹ / ₄	–	
Housing material	PET	–	
Mass	≈ 0,25	kg	
Warranty and operating life	Duration	2	years
	Number of emptying operations	10	–
Packing unit	10	pieces	
Ambient conditions			
Protection type	IP68	–	
Operating temperature	–10 up to +55	°C	
Storage (protect from direct sunlight, store in a dry place)	Temperature (recommended)	+20±5	°C
	Humidity	≤ 65	%
Certificates			
CE Radio Equipment Directive 2014/53/EU	–	–	

OPTIME C1

Technical data Gateway

Designation	Value	Unit
Communication		
Wirepas Mesh (ISM band)	2,4	GHz
2G, LTE CAT M1 (other options available with installed local LTE stick: GSM, UMTS, LTE)	●	–
WiFi	2,4	GHz
Ethernet RJ45	●	–
SIM card format	Micro-SIM (3FF)	–
Electrical characteristics		
Power consumption	30	VA
Power supply AC	85 to 264	V
Frequency	47 to 440	Hz
Ambient conditions		
Protection class	IP66	–
Operating temperature	–20 to +50	°C
Storage Temperature	–40 to +85	°C
Humidity	20 to 90	%
Dimensions, mass		
Length	180	mm
Width	130	mm
Height	81	mm
Mass	≈ 1,2	kg
Certificates		
CE (EU directive 2014/53/EU), FCC, SRRC, IC, RCM, Anatel, NTC, NBTC, SIRIM, WPC	Current certifications https://www.schaeffler.de/std/1F8A	

Ordering designation, ordering number for gateway

Ordering designation	Ordering number	SIM	LTE
Asia-Pacific (excluding China)			
OPTIME-GATEWAY-T	095239022-0000-10	●	–
OPTIME-GATEWAY-T-NOSIM-EU-AP	095761314-0000-10	–	–
Brazil, Malaysia			
OPTIME-GATEWAY-T	095239022-0000-10	●	–
OPTIME-GATEWAY-T-NOSIM-EU-AP	095761314-0000-10	–	–
China			
OPTIME-GATEWAY-T-CN	096883790-0000-10	●	–
OPTIME-GATEWAY-T-NOSIM-CN	096883804-0000-10	–	–
Europe			
OPTIME-GATEWAY-T-LTE-EU	095970223-0000-10	●	●
OPTIME-GATEWAY-T-LTE-NOSIM-EU	096354984-0000-10	–	●
USA			
OPTIME-GATEWAY-T	095239022-0000-10	●	–
OPTIME-GATEWAY-T-NOSIM-EU-AP	095761314-0000-10	–	–

Dimensions

Figure 2
OPTIME C1 and
lubricator CONCEPT1
(designs: 60 cm³ and 125 cm³)

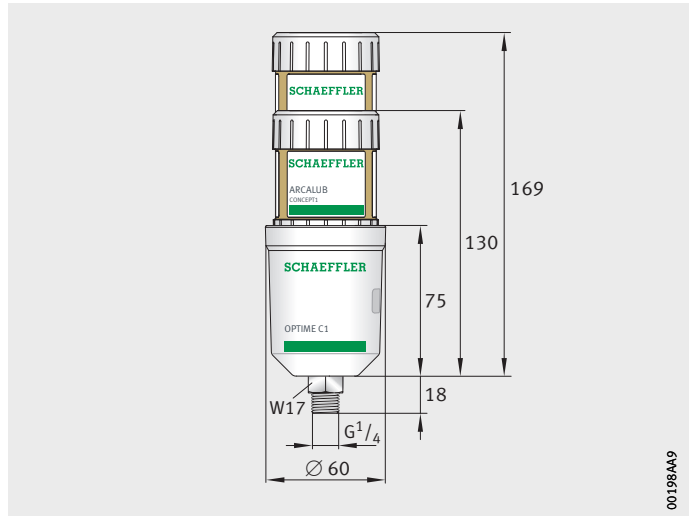
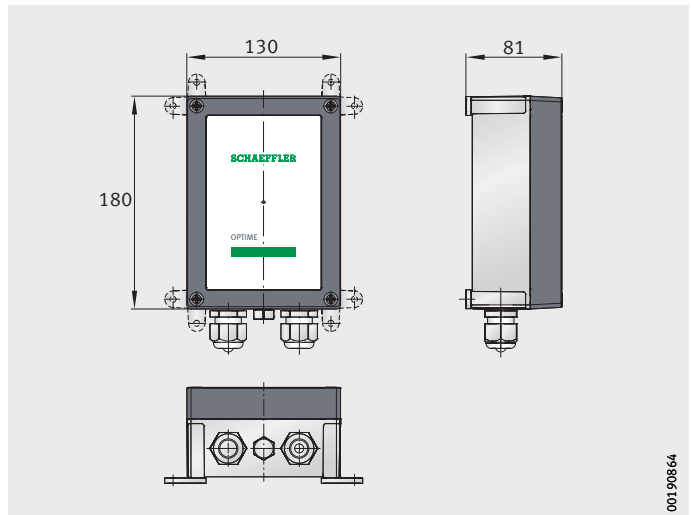


Figure 3
Gateway



Schaeffler Technologies AG & Co. KG

Georg-Schäfer-Straße 30

97421 Schweinfurt

Germany

www.schaeffler.de/en/services

Sales:

Phone +49 9721 91-0

Technical support:

www.schaeffler.de/en/technical-support

All information has been carefully compiled and checked by us, but we cannot guarantee complete accuracy. We reserve the right to make corrections. Therefore, please always check whether more up-to-date or amended information is available. This publication supersedes all deviating information from older publications. Printing, including excerpts, is only permitted with our approval.
© Schaeffler Technologies AG & Co. KG
TPI 271 / 01 / en-GB / DE / 2022-02