



We pioneer motion

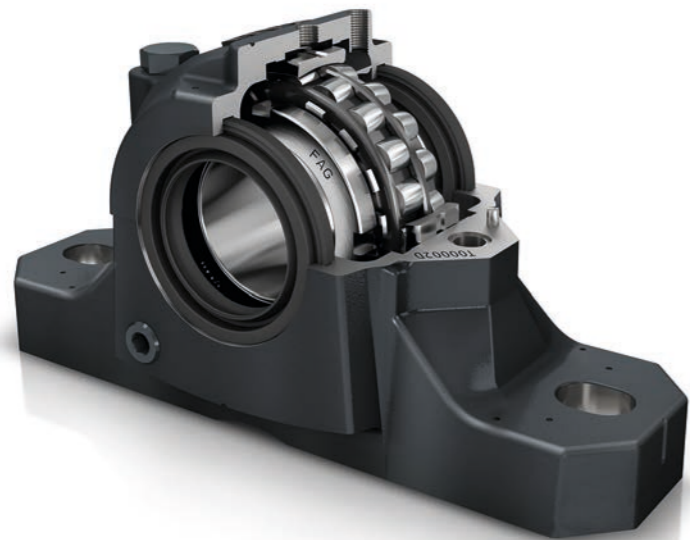
## SES Plummer Block Housings



Stone crushers

## Greater efficiency and cost-effectiveness

SES plummer block housings are a completely new generation of small housings. Through the systematic further development of the proven FAG plummer block housings, Schaeffler can offer even greater efficiency and cost-effectiveness for your machinery and plant.



Switch to standardized SES plummer block housings and gain the following benefits:

- **Simplified housing selection**  
It is now easier for you to switch to our innovative SES plummer block housings due to a new system of housing designations based on the standard. The housing and component dimensions correspond to the standard and the market is familiar with them.
- **Extended range of designs**  
compared to the competition.
- **Optimum lubricant supply**  
through lubrication holes in the upper housing section.
- **Robust housing**  
for aggressive environmental conditions. Strengthening around the fixing holes and high rupture loads provide improved strength and greater rigidity.
- **Longer bearing operating life**  
due to innovative housing design. This is achieved through optimized load distribution in the bearing.
- **Markings in the upper housing section**  
show the condition monitoring and lubricant supply connection points. The housings are therefore Industry 4.0 compliant.
- **Controlled egress of used lubricant**  
due to standardized outlet hole. This is closed off with a screw plug in the delivered condition.
- **Quick and easy to align**  
the housing due to indentations that indicate the shaft and bearing center.
- **Quick bearing replacement**  
when combined with split spherical roller bearings from the standard Schaeffler range. This avoids long downtimes.

# Suitable for use in many industries

A wide range of seals means the optimum technical and economical solution is available for every application

- Conveyor belts and systems
- Crushers and mills
- Paper production
- Drive drums
- Fans and turbines
- General heavy industry



Opencast mining



Stone crushers



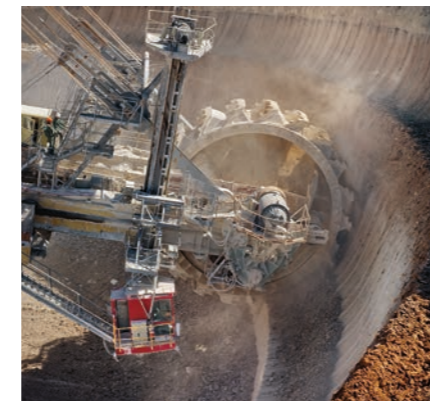
Port cranes



Textile machinery



Combine harvesters



Bucket wheel excavators

Paper-making machine



Industrial fans

## Installation points in mining and raw material extraction

- Conveyor systems
- Vibrating screens
- Crushers
- Mills
- Bucket wheel excavators

## Installation points in agricultural and construction machinery

- Combine harvesters
- Forage harvesters
- Balers
- Potato harvesters and loading machines

## Installation points in power stations

- Conveyor systems
- Industrial fans
- Turbines
- Tube mills
- Coal excavators

# Seal range and accessories



## Double lip seal – EDH

The most commonly used seal with standard SES housings is the double lip seal.

The sliding seal lips prevent contamination entering the bearing. The inner seal lip prevents lubricant escaping from the housing. EDH double lip seals come in two halves for easy mounting and dismantling.



## Felt seal – EFS

EFS felt seals are particularly suitable for grease lubrication.

They consist of an adapter with an inset, oil-impregnated felt strip.



## Labyrinth seal – ETS

ETS labyrinth seals provide non-contact sealing. They are therefore suitable for high circumferential velocities. The labyrinth can be relubricated if necessary. To achieve this, a lubrication hole must be made in the upper housing section for each labyrinth seal. The optimum positions are indicated by cast-in pilot holes.



Extensive range of seals for the most demanding installation conditions



## Plastic cover – EDK

EDK plastic covers for temperatures up to +120 °C



## Steel cover – EDKT

EDKT steel covers for temperatures up to +200 °C



## Locating ring – FRM

FRM locating rings ensure there is no axial displacement of the bearing in the housing.

The following components and variants are available on request:



## V ring seal – EDV

EDV V ring seals are low-friction seals and provide reliable sealing against dust, spray water, oil, grease etc.



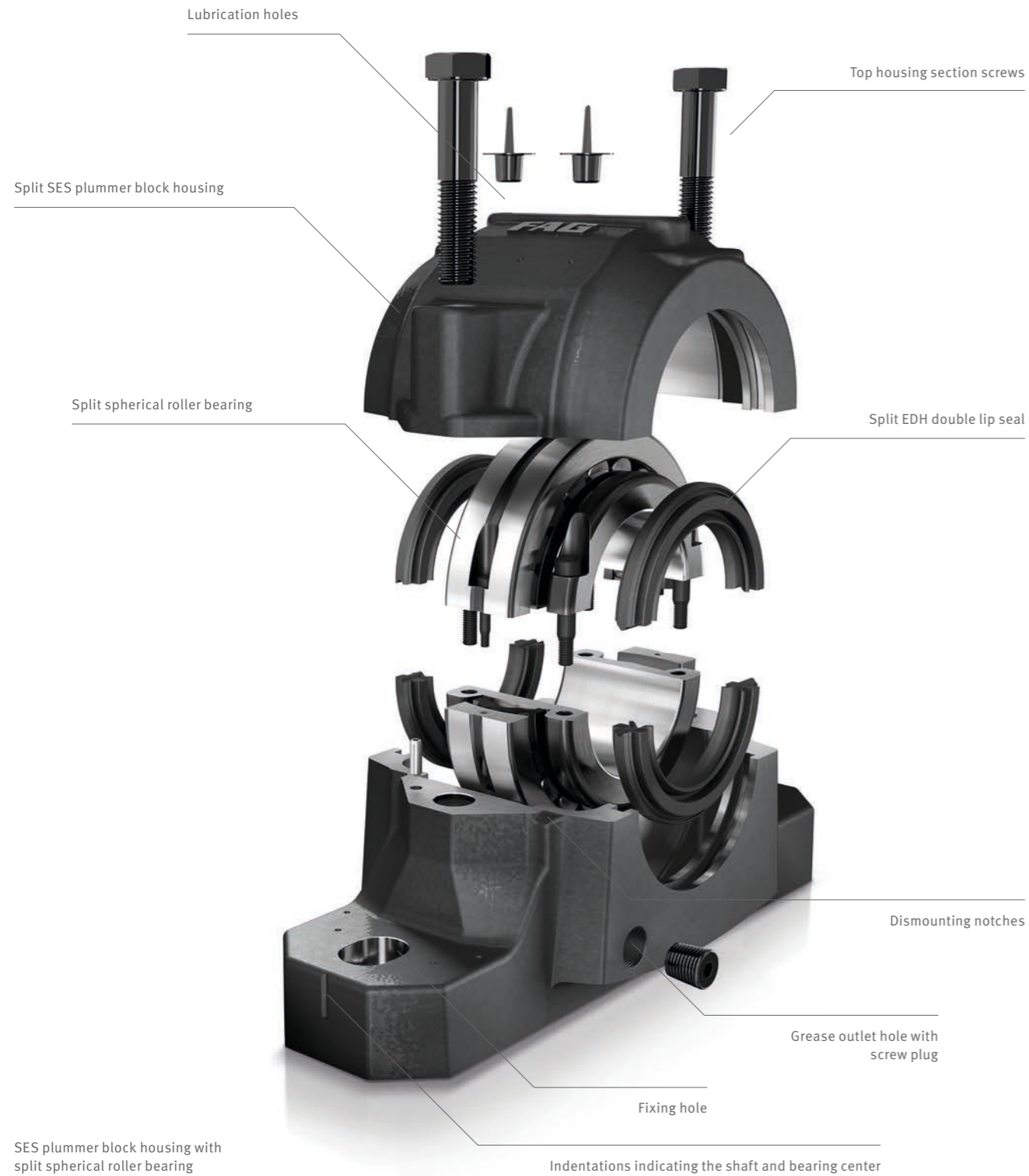
## Taconite seal – ETC

These seals are suitable for extreme operating conditions with respect to contamination and dust.

## For hard-to-reach or process-critical applications

Schaeffler also offers a standard range of split spherical roller bearings for use with the split SES housing series. This provides a complete split solution for quick replacement of both bearings and housings. This is particularly beneficial in hard-to-reach

applications or installations on a continuous shaft as it is no longer necessary to split units mounted on the shaft such as gearboxes or motors. This saves time and money which leads to a significant reduction in the Total Cost of Ownership (TCO).

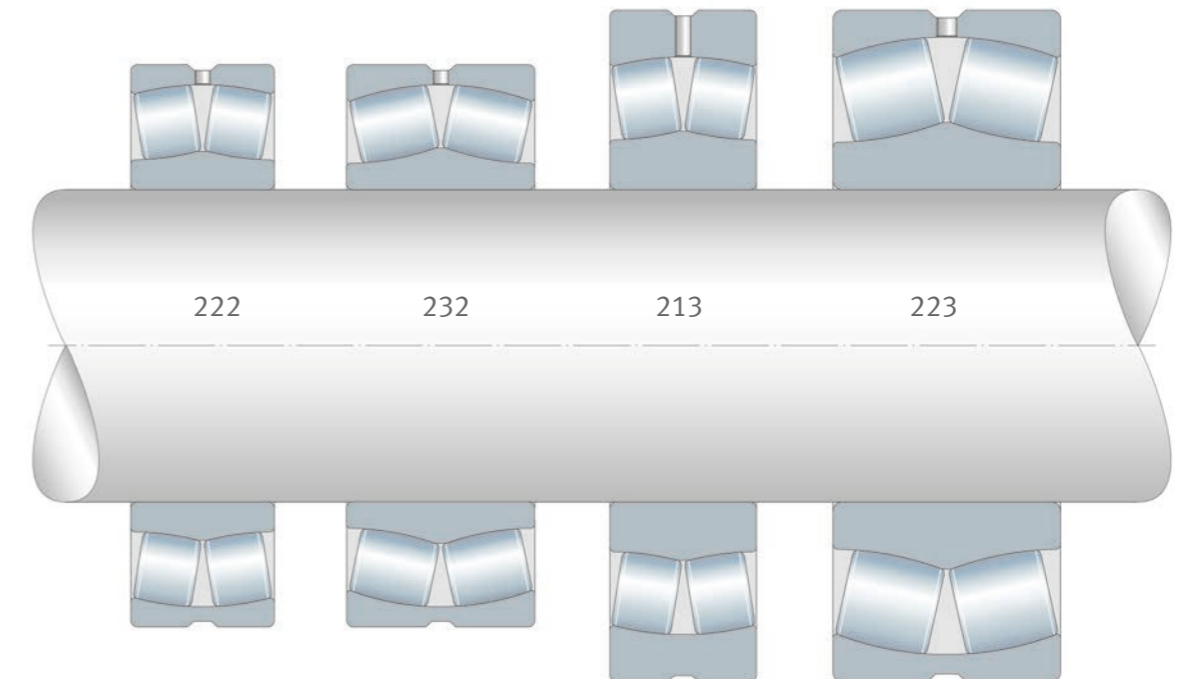


SES plummer block housing with split spherical roller bearing

## Suitable for a wide range of rolling bearings

- For spherical roller bearings of series 213, 222, 223, 232
- For split spherical roller bearings, which allow housings and bearings to be replaced directly on the shaft.
- For sealed spherical roller bearings and even better protection against contamination.

SES plummer block housings are available in shaft diameters from 20 mm to 160 mm and  $\frac{3}{4}$  inch to  $5\frac{1}{2}$  inch.



# SES plummer block housings provide Industry 4.0 compliant solutions

## CONCEPT automatic lubricator

The CONCEPT range of lubricators is the perfect solution for automatic relubrication of rolling bearings in SES plummer block housings. They are easy to install and ensure the correct quantity of lubricant is supplied over a defined period of time.



Automatic lubricant supply with CONCEPT

Condition monitoring with OPTIME

## Benefits of OPTIME



Cost-effective monitoring.



Access to expert knowledge.



Quick installation.



Intuitive operation.

# Overview of benefits

# 25 %

Up to 25% higher housing rupture loads due to optimized design. And without any increase in weight.

# 1-to-1

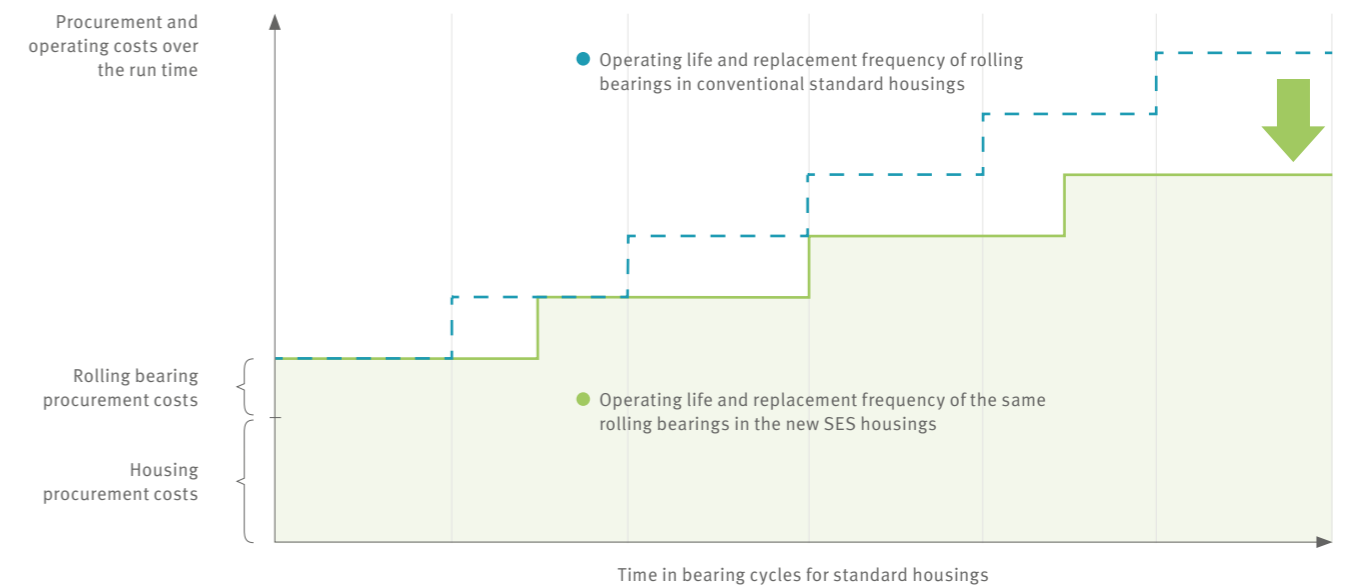
... replacement of standard market solutions.

# 50 %

Up to 50% longer bearing operating life due to innovative housing design.

- A wide range of seal options is available for flexible and economical solutions in many different applications.
- Optimum sealing solutions from a standard range for every application
- Longer run times for installed rolling bearings
- Easy replacement due to standard market dimensions
- Lower maintenance outlay and shorter downtimes
- Lower mounting costs
- Reduced material usage
- Reduced disposal costs

## Optimized load distribution: Protects the bearing and helps reduce Total Cost of Ownership (TCO) and increase the operating life



**Further information**

Technical Product Information TPI247 – Split Plummer Block Housings SES  
[www.schaeffler.de/en/tpi247](http://www.schaeffler.de/en/tpi247)

**Schaeffler Technologies AG & Co. KG**

Georg-Schäfer-Straße 30  
97421 Schweinfurt  
Germany  
[www.schaeffler.com](http://www.schaeffler.com)  
[info@schaeffler.com](mailto:info@schaeffler.com)

In Germany:

Phone 0180 5003872

From other countries:

Phone +49 9721 91-0

Every care has been taken to ensure the correctness of the information contained in this publication but no liability can be accepted for any errors or omissions. We reserve the right to make technical changes.

© Schaeffler Technologies AG & Co. KG

Issued: 2021, September

This publication or parts thereof may not be reproduced without our permission.