



EWELLIX

EWELLIX Linear Actuators

ECOMAG

Product Data Sheet

We pioneer motion

SCHAEFFLER

1 ECOMAG

1 ECOMAG



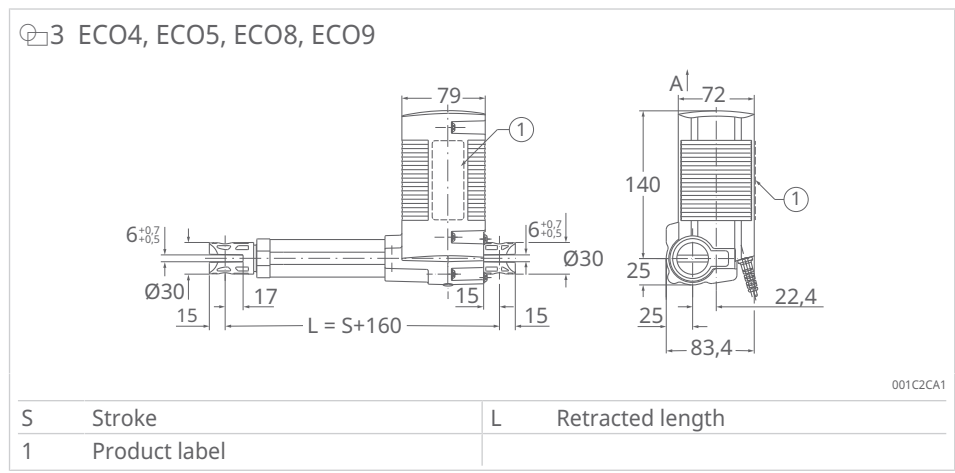
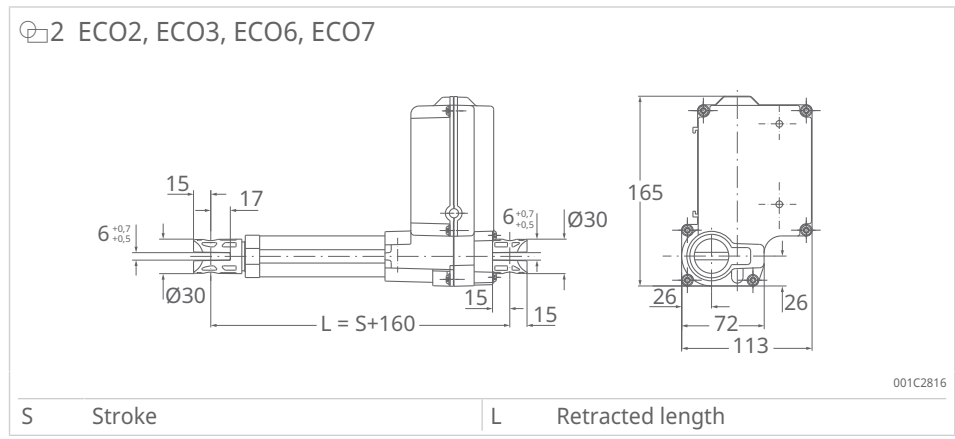
Benefits

- compact
- cost-effective
- low-noise operation
- control unit can be mounted on the linear actuator

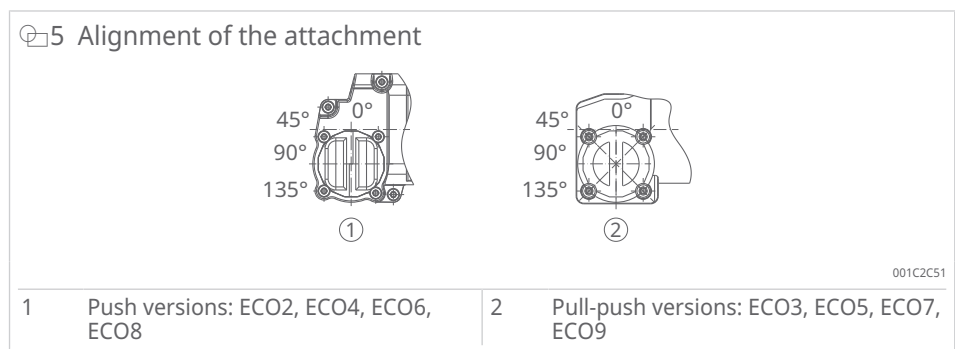
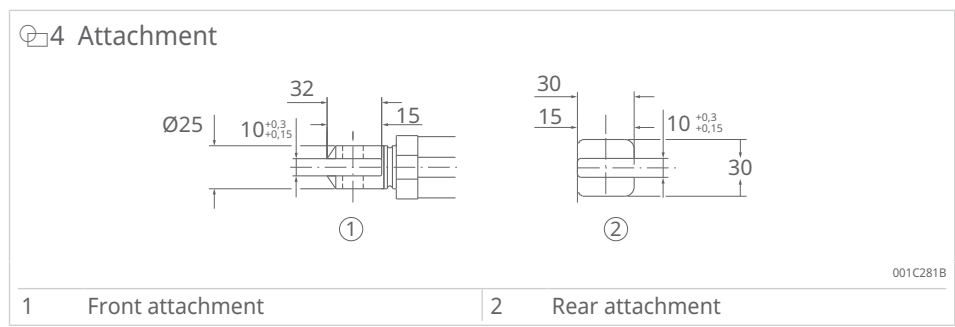
1 Technical data ECOMAG

Feature	Unit	Push versions		Pull-push versions	
		ECO2, ECO4	ECO6, ECO8	ECO3, ECO5	ECO7, ECO9
Rated push force	N	2000	6000	2000	6000
Rated pull force	N	0	0	2000	4000
Speed (full load to no load)	mm/s	9 to 13	4 to 7	9 to 13	4 to 7
Stroke S	mm	50 to 300	50 to 300	50 to 300	50 to 300
Retracted length L	mm	S + 160	S + 160	S + 160	S + 160
Voltage	DC V	24	24	24	24
Power consumption	W	70	120	70	120
Current consumption	A	4	6	4	6
Duty cycle	%	10	10	10	10
	min	ON: 1 min / OFF: 9 min	ON: 1 min / OFF: 9 min	ON: 1 min / OFF: 9 min	ON: 1 min / OFF: 9 min
Ambient temperature	°C	+10 to +40	+10 to +40	+10 to +40	+10 to +40
Protection code (IP)	-	IPX4S	IPX4S	IPX4S	IPX4S
Mass	kg	2.1	2.1	2.5	2.5
Color	-	Black or gray	Black or gray	Black or gray	Black or gray

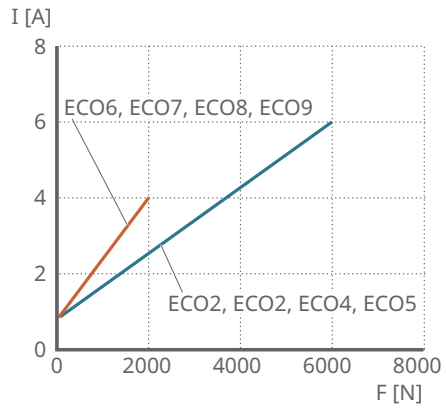
Dimensional drawings



Attachments



8 Power diagram: current, load

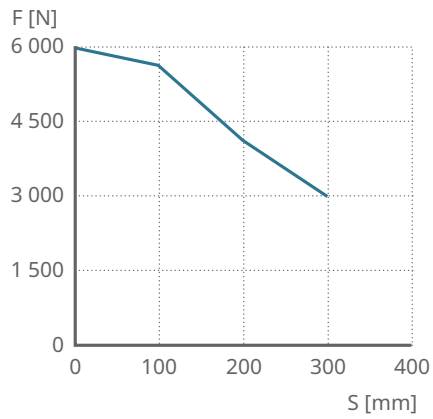


001C2827

I Current consumption | F Load

Load limit

9 Push load reduction, safety factor SF = 4



001C2823

F Lush load | S Stroke

Ordering key

10 Ordering designation ECOMAG

ECO 2 0 - 0 05 M M 1 A 0 000

Type

Load/housing

	Push	Pull	Housing
2	2000 N	0 N	Large
3	2000 N	2000 N	Large
4	2000 N	0 N	Small
5	2000 N	2000 N	Small
6	6000 N	0 N	Large
7	6000 N	4000 N	Large
8	6000 N	0 N	Small
9	6000 N	4000 N	Small

Encoder

- 0 No encoder, coiled cable, 2-pin Mini-Fit plug or customized design, available on request
- 9 No encoder, coiled cable, DIN-8 plug or customized design
- F Dual Hall encoder, 8 pulses, straight cable, DIN-8 plug (small housing only)

Current cut-off

- 0 None
- 1 Yes (not available for ECO4, ECO5, ECO8), available on request

Stroke S

- 05 50 mm
- 10 100 mm
- 15 150 mm
- 20 200 mm
- 25 250 mm
- 30 300 mm
- 00 Other stroke lengths; 50 < S < 300 mm, available on request

Front attachment (slot depth 17 mm)

- M Bore Ø12 mm, slot width 10 mm
- X Customized, available on request

Rear attachment (groove depth 15 mm)

- M Bore Ø12 mm, slot width 10 mm
- X Customized, available on request

Orientation of rear attachment

- 1 0°
- 3 45°
- 5 90°
- 7 135°, available on request

Color

- A Black (available only for small housing)
- B Gray

Option

- 0 No option
- A Back-up nut (available only for actuators with 6 kN, mandatory for IEC 60601-1), only for ECO7, ECO9, L = +23 mm

Customized

001E0175

Schaeffler Technologies AG & Co. KG

Georg-Schäfer-Straße 30

97421 Schweinfurt

Germany

www.schaeffler.de/en

info.de@schaeffler.com

In Germany:

Phone 0180 5003872

From other countries:

Phone +49 9721 91-0

All information has been carefully compiled and checked by us, but we cannot guarantee complete accuracy. We reserve the right to make corrections. Therefore, please always check whether more up-to-date or amended information is available. This publication supersedes all deviating information from older publications. Printing, including excerpts, is only permitted with our approval.
© Schaeffler Technologies AG & Co. KG
PDB 95 / 01 / en-US / 2026-05