

EN OPTIME Ecosystem

OPTIME 6, OPTIME 10

User Manual

1 Operation

1



www.schaeffler.de/std/1F40

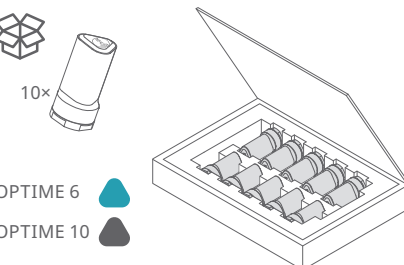



Technical Support Lifetime Solutions
<https://www.schaeffler.de/std/2001>


Frequency band: 2,4 GHz
Max. output power: +8 dBm


001AD82D

2



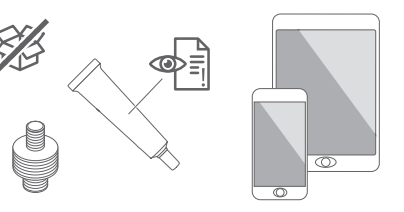
10x

OPTIME 6 

OPTIME 10 

001DEE19

3



001DEE1B

4



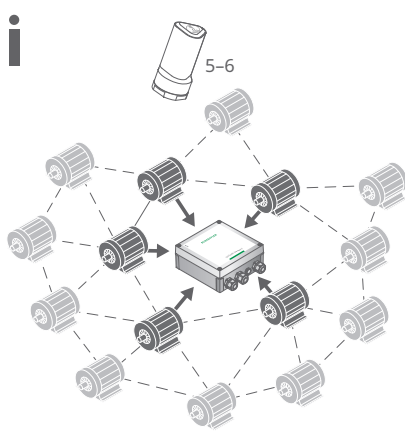
17 mm

50,5 mm

$U = 3,6V$
 $I = 3600\text{ mAh}$
LiSOCl2

001DEE1D

5




5-6

001DEE1F

6



1. www.schaeffler.de/std/1F41



0016F387

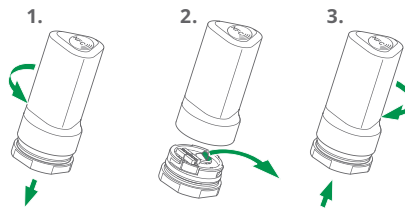
7

2.

0016F38E

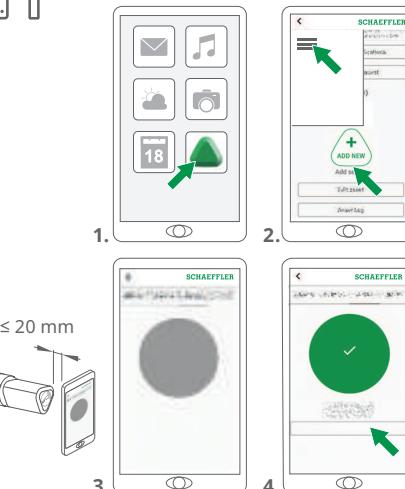
8



001DEE20

9

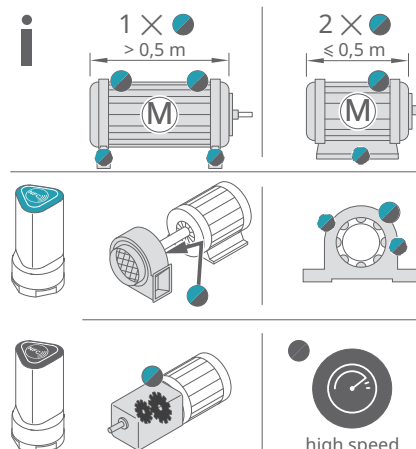
3.



≤ 20 mm

001DEE21

10



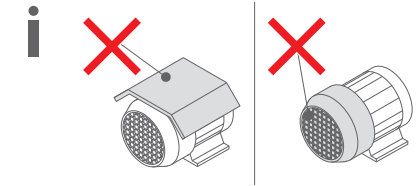
1 × $> 0,5\text{ m}$

2 × $\leq 0,5\text{ m}$

high speed

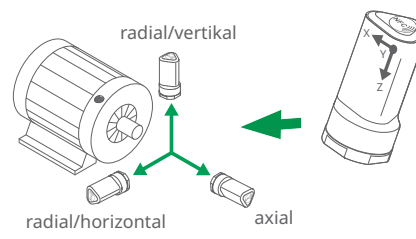
001DEE23

11



001729A5

12



radial/vertikal

radial/horizontal

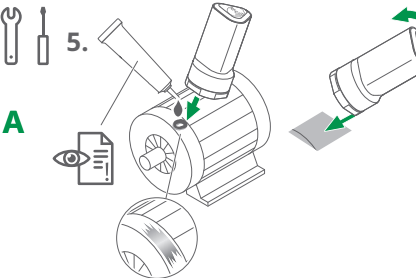
axial

001DEE22

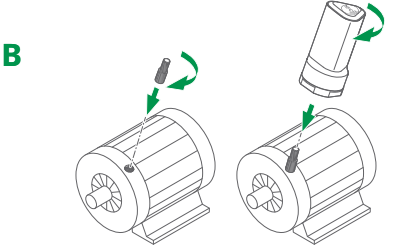
13

5.

A

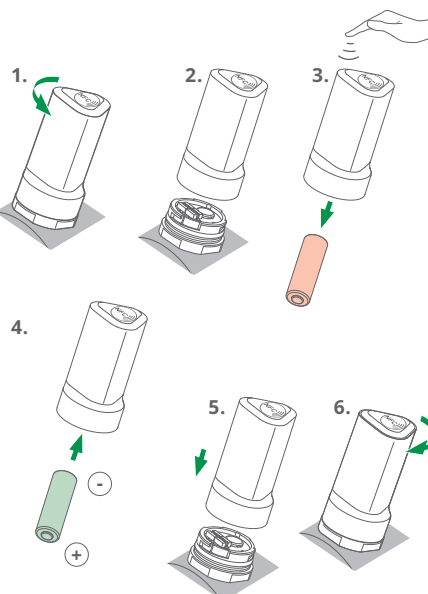


B



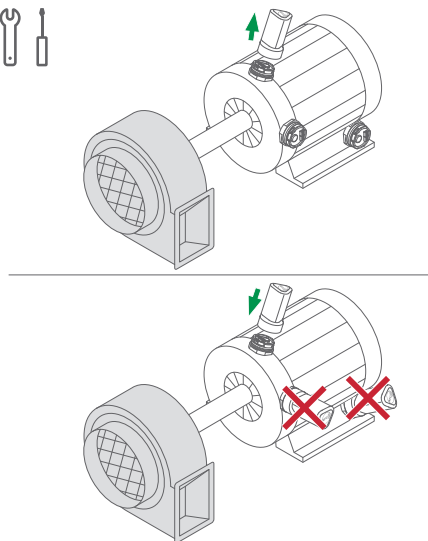
001DEE26

14



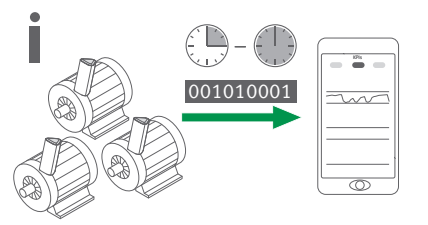
001DEE29

15



001DF89

16



001010001

0016F3D2

17



SCHAEFFLER
Training Campus

<https://www.schaeffler.de/std/1FFF>

001AD840

Schaeffler Monitoring Services GmbH
Kaiserstraße 100
52134 Herzogenrath
Germany
www.schaeffler.de/en/services

Technical support:
www.schaeffler.de/en/technical-support

All information has been carefully compiled and checked by us, but we cannot guarantee complete accuracy. We reserve the right to make corrections. Therefore, please always check whether more up-to-date or amended information is available. This publication supersedes all deviating information from older publications. Printing, including excerpts, is only permitted with our approval.
© Schaeffler Monitoring Services GmbH
BA 68-08 / 01 / 0m-0M / 2026-05