



EWELLIX

EWELLIX Lifting Columns

TLC

Product Data Sheet

We pioneer motion

SCHAEFFLER

1 TLC



001CF154

Benefits

- push or pull load
- high offset load
- quiet
- high performance
- “Plug and play” concept

Standards

- IEC 60601-1

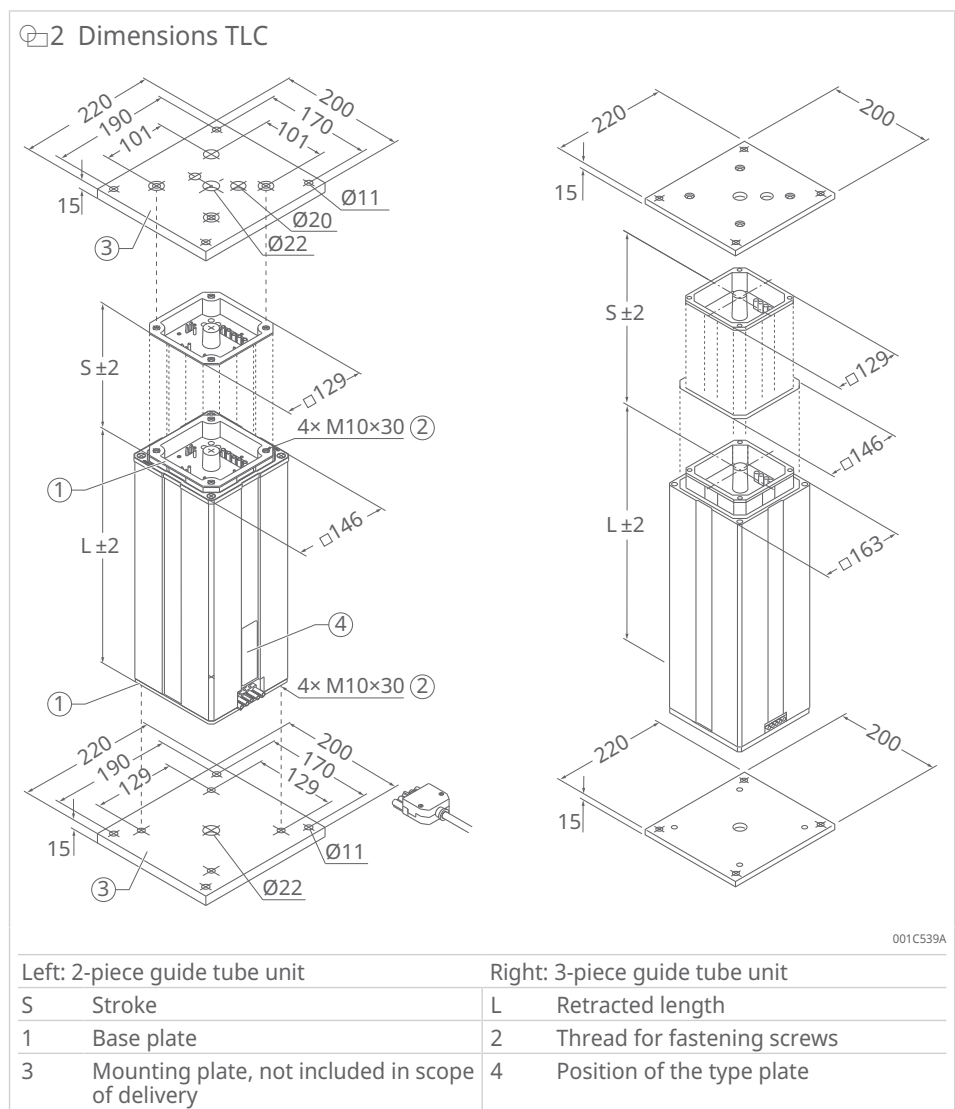
Technical data TLC

Feature	Unit	TLC12ZWAS	TLC12ZWAK	TLC12ZWDS	TLC12ZWDK
Rated push force	N	4000	4000	4000	4000
Rated pull force	N	4000	4000	4000	4000
Offset load	Nm	≤ 630 ¹⁾	≤ 630 ¹⁾	≤ 2100 ¹⁾	≤ 2100 ¹⁾
Speed (full load to no load)	AC 120 V	mm/s	16 to 22	16 to 22	16 to 22
	AC 230 V	mm/s	11 to 17	11 to 17	11 to 17
Lifting column version (number of guide tubes)	-	2-piece	2-piece	3-piece	3-piece
Stroke S	mm	100 to 700	100 to 700	255 to 700	255 to 700
Retracted length L	Compressive load version	mm	S + 175	S + 175	S + 60
	Pull variant	mm	S + 185	S + 185	S + 70
Voltage	V AC	120 or 230	120 or 230	120 or 230	120 or 230
Mains frequency	AC 120 V	Hz	60	60	60
	AC 230 V	Hz	50	50	50
Power consumption	AC 120 V	W	1200	1200	1200
	AC 230 V	W	890	890	890
Current consumption	AC 120 V	A	10	10	10
	AC 230 V	A	4.1	4.1	4.1

Feature	Unit	TLC12ZWAS	TLC12ZWAK	TLC12ZWDS	TLC12ZWDK	
Duty cycle, intermittent operation	AC 120 V	min	ON: 0.8 min / OFF: 37 min	ON: 0.8 min / OFF: 37 min	ON: 0.8 min / OFF: 37 min	ON: 0.8 min / OFF: 37 min
	AC 230 V	min	ON: 1 min / OFF: 37 min	ON: 1 min / OFF: 37 min	ON: 1 min / OFF: 37 min	ON: 1 min / OFF: 37 min
Duty cycle, short-time operation	AC 120 V	min	1.2	1.2	1.2	1.2
	AC 230 V	min	2	2	2	2
Ambient temperature during operation	°C		+10 to +40	+10 to +40	+10 to +40	+10 to +40
	°F		+50 to +104	+50 to +104	+50 to +104	+50 to +104
Protection code (IP)	-		IP20, IP30	IP20, IP30	IP20, IP30	IP20, IP30
Protection class IEC 61140	-		I	I	I	I
Type of control	-		Electrical	Pneumatic	Electrical	Pneumatic
Mass	kg		15.2 to 24.5	15.2 to 24.5	18.3 to 30.5	18.3 to 30.5

1) for details, see bending load diagram

Dimensional drawings

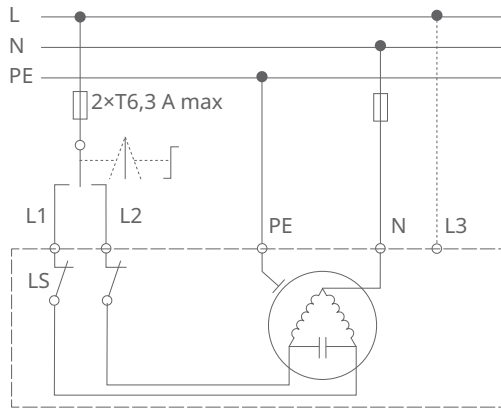


Mounting plates are not included in the scope of delivery and are available separately as accessories.

Fastening screws are not included in the scope of delivery and are available separately as accessories.

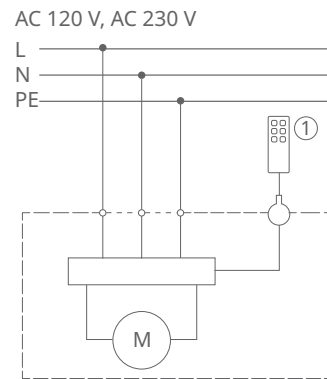
Wiring diagrams

3 Connecting diagram, electrical control



001C53AA

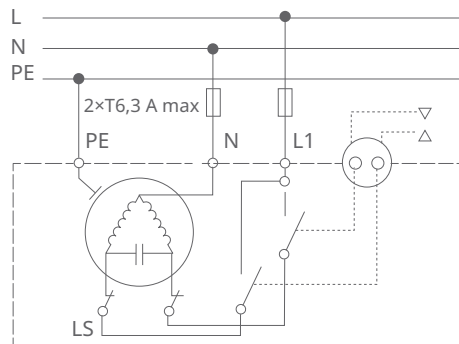
4 Connecting diagram AC 120 V, AC 230 V, low-voltage control



001DCBAB

1 Operating device

5 Connecting diagram, pneumatic control



001C53AF

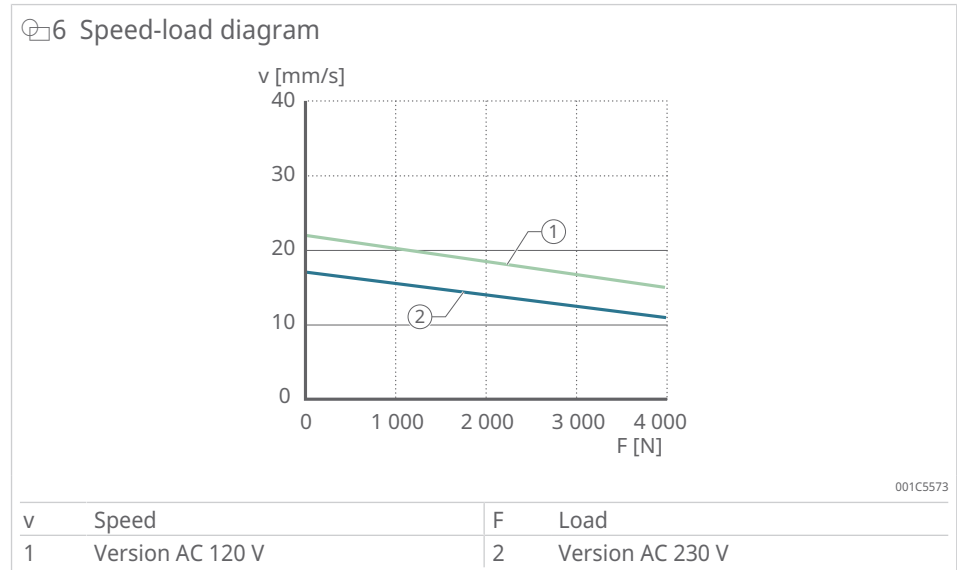
Suitable control units and accessories

2 Suitable control units and operating devices for TLC, pneumatic

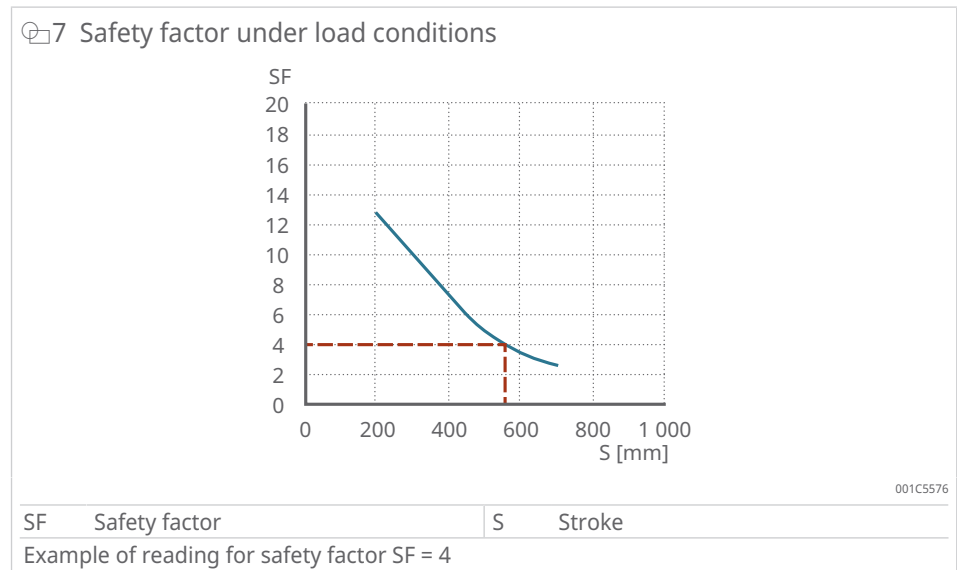
Operating device		Control unit:
Designation	Switch	Pneumatic lifting columns TLC12ZWAK, TLC12ZWDK with integrated control unit
PHC	M	✓
PFP	F	✓
PAM	T	✓

- M Hand switch
- F Foot switch
- T Desk switch
- ✓ suitable
- not suitable

Performance diagrams

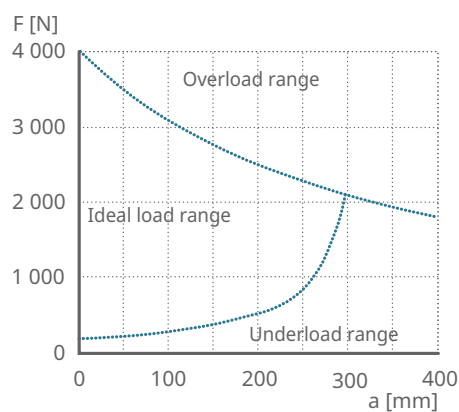


Safety factor under load conditions



Offset load diagrams

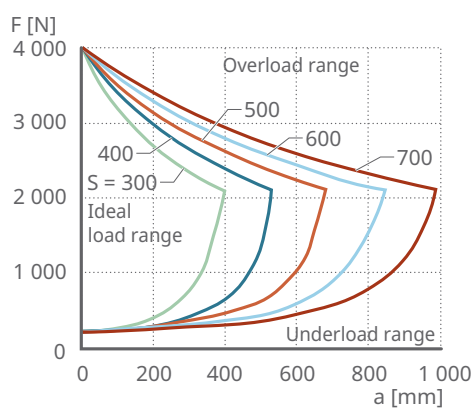
8 Offset load diagram, 2-piece guide unit tube



001E0009

F	Load	a	Load distance from center of column
---	------	---	-------------------------------------

9 Offset load diagram, 3-piece guide unit tube



001E0019

F	Load	a	Load distance from center of column
S	Stroke in mm		

Accessories

3 Accessories

Designation		Order code	Order number
Upper mounting plate	For 2-piece guide tube unit	ZPL-290268	0125624
Upper mounting plate	For 3-piece guide tube unit	ZPL-290268	0125624
Lower mounting plate	For 2-piece guide tube unit	ZPL-290351	0125625
Lower mounting plate	For 3-piece guide tube unit	ZPL-290265	0125623
Fastening screw for mounting plate	4 screws/plate required	ZBE-510707	0125360
AC plug TLC	3-pin	ZEL-265518	0124866
AC plug TLC	5-pin	ZEL-265519	0124864

Ordering key

10 Ordering designation TLC

TLC 12 Z W A S 2U - 0 0 1

Type

Load

Z 4000 N

Guide tube unit

A 2-piece

D 3-piece

Control, operation

S Electrical control

K Pneumatic control

N Low-voltage control, available on request

Voltage

- AC 230 V 50 Hz (no code)

2U AC 120 V 60 Hz

Design

0 Push load

1 Customized, available on request

3 Pull load

Stroke S

1 100 mm, for 2-piece guide tube unit only, push

1 255 mm, for 3-piece guide tube unit only, push

2 200 mm, for 2-piece guide tube unit only

3 300 mm

4 400 mm

5 500 mm

6 600 mm

7 700 mm

001DFFF9

Schaeffler Technologies AG & Co. KG

Georg-Schäfer-Straße 30

97421 Schweinfurt

Germany

www.schaeffler.de/en

info.de@schaeffler.com

In Germany:

Phone 0180 5003872

From other countries:

Phone +49 9721 91-0

All information has been carefully compiled and checked by us, but we cannot guarantee complete accuracy. We reserve the right to make corrections. Therefore, please always check whether more up-to-date or amended information is available. This publication supersedes all deviating information from older publications. Printing, including excerpts, is only permitted with our approval.
© Schaeffler Technologies AG & Co. KG
PDB 101 / 01 / en-US / 2026-05