



EWELLIX

## EWELLIX Lifting Columns

TFG

Product Data Sheet

We pioneer motion

**SCHAEFFLER**



# 1 TFG



## Benefits

- push or pull load
- compact design
- fast movement
- high performance
- “Plug and play” concept

## Standards

- IEC 60601-1

## 1 Technical data TFG

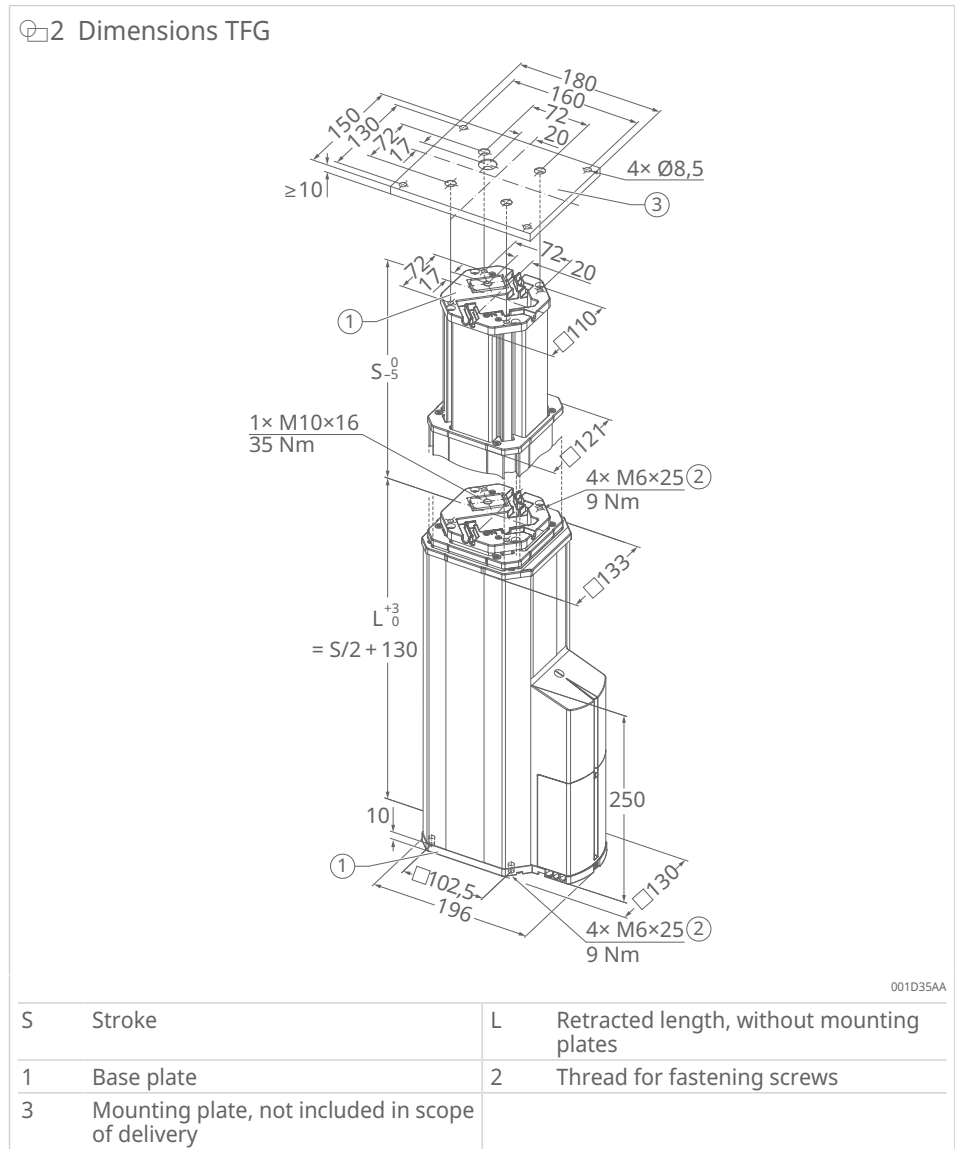
Feature	Unit	TFG10	TFG50	TFG90
Rated push force	N	2500	2500	2500
Rated pull force	N	2500	2500	2500
Offset load	Nm	≤ 500 <sup>1)</sup>	≤ 500 <sup>1)</sup>	≤ 500 <sup>1)</sup>
Speed (full load to no load)	mm/s	15 to 19	15 to 19	15 to 19
Lifting column version (number of guide tubes)	-	3-piece	3-piece	3-piece
Stroke S	mm	200 to 700	200 to 700	200 to 700
Retracted length L	mm	S/2 + 130	S/2 + 130	S/2 + 130
Voltage	V	DC 24 V	AC 120 V	AC 230 V
Mains frequency	Hz	-	50 to 60	50
Power consumption	W	120	160	160
Current consumption	A	5	1.8	1
Duty cycle, intermittent operation	min	ON: 1 min / OFF: 9 min	ON: 1 min / OFF: 9 min	ON: 1 min / OFF: 9 min
Duty cycle, short-time operation	min	3 min	3 min	3 min
Ambient temperature during operation	°C	+10 to +40	+10 to +40	+10 to +40
	°F	+50 to +104	+50 to +104	+50 to +104
Protection code (IP)	-	IP30	IP30	IP30

Feature	Unit	TFG10	TFG50	TFG90
Protection class IEC 61140	-	SELV	I	I
Type of control	-	Electrical	Electrical	Electrical
Mass	kg	8 to 19	8 to 19	8 to 19

1

1) for details, see bending load diagram

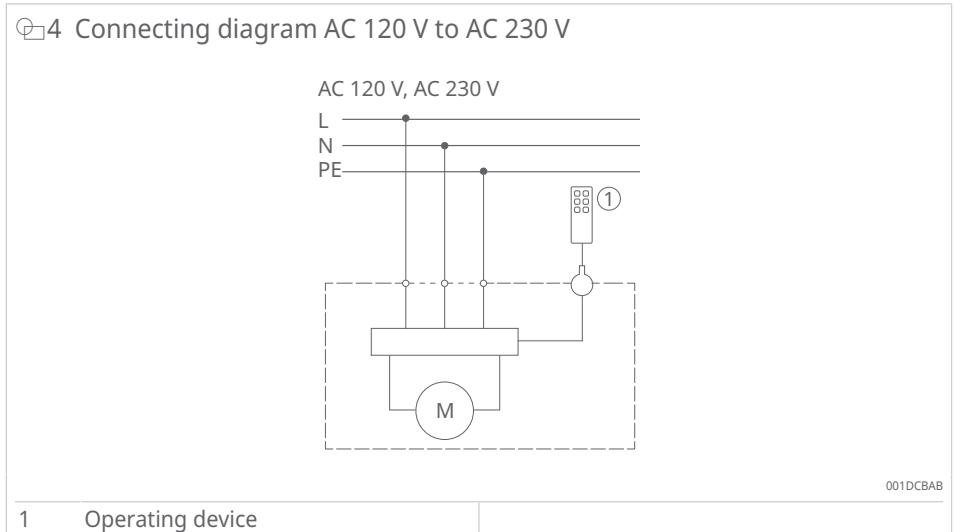
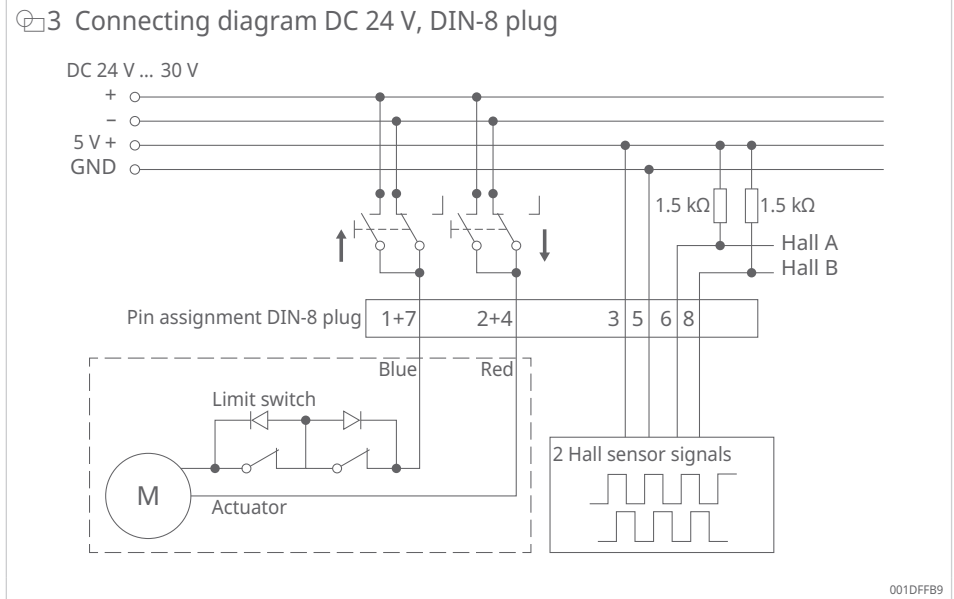
### Dimensional drawings



Mounting plates are not included in the scope of delivery and are available separately as accessories.

Fastening screws are not included in the scope of delivery and are available separately as accessories.

## Wiring diagrams



1 Operating device

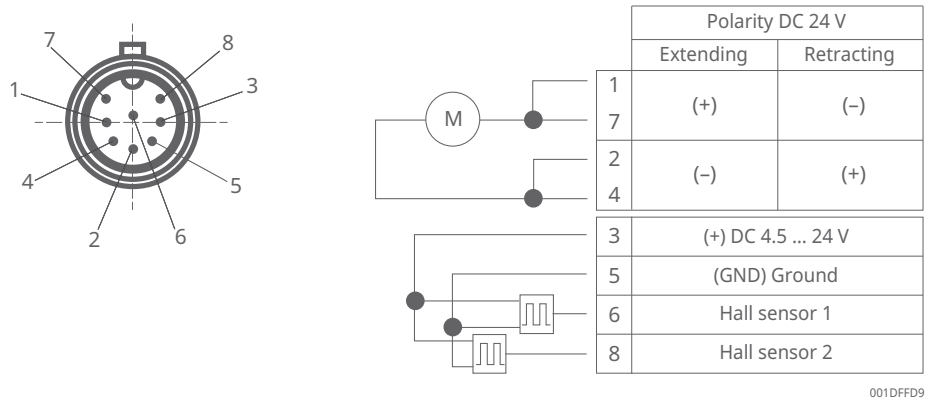
## Suitable control units and accessories

**2 Suitable control units and operating devices for TFG**

Operating device		Control unit			
Designation	Switch	SCU	VCU	BCU	COMPACT
EHA3	M	✓	✓	✓	-
STJ	F	✓	✓	✓	-
STE	T	✓	✓	✓	-
HSM	T	-	-	-	✓
HSF	T	-	-	-	✓

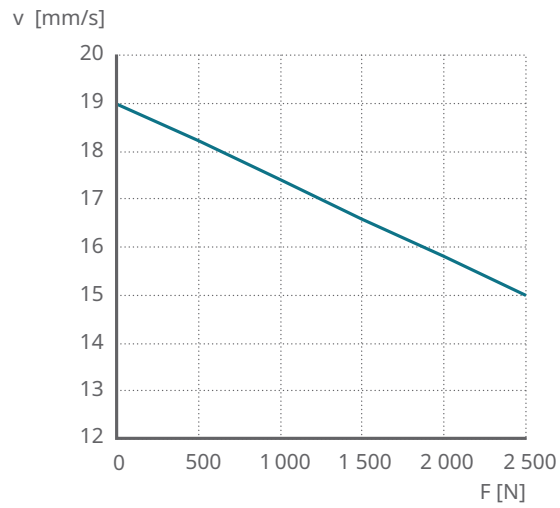
- M Hand switch
- F Foot switch
- T Desk switch
- ✓ suitable
- not suitable

5 TFG10: pin assignment for permanently attached cable with DIN-8 plug, cable length 1.5 m



### Performance diagrams

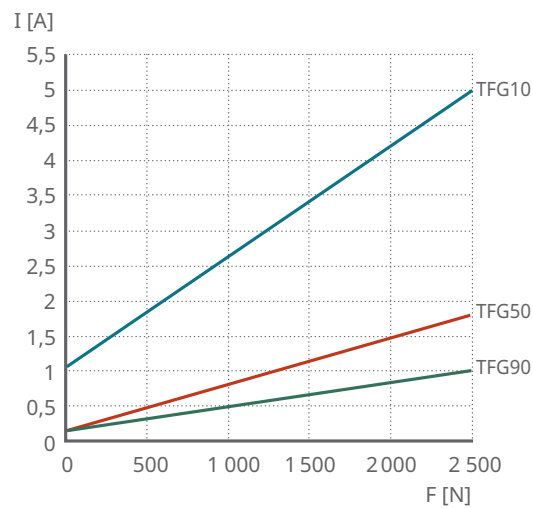
6 Speed-load diagram



001D1806

v Speed | F Load

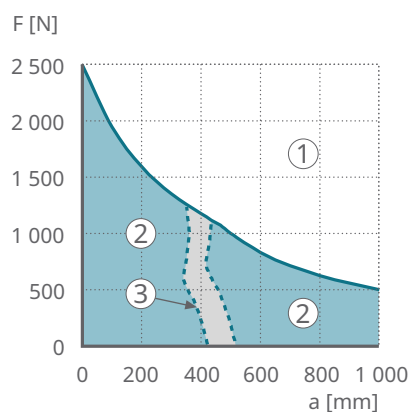
7 Current-load diagram TFG



I Current consumption | F Load

## Offset load diagrams

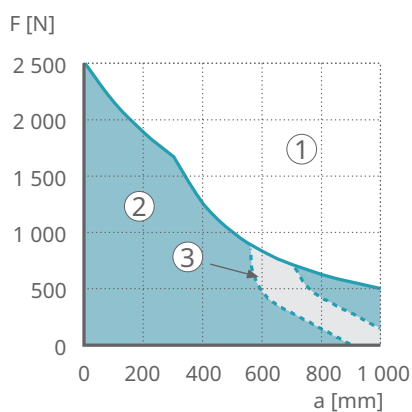
8 Offset load diagram TFG, 200 mm stroke



001D3919

F	Load	a	Load distance from center of column
1	Overload range	2	Ideal load range
3	Stick-slip effect		

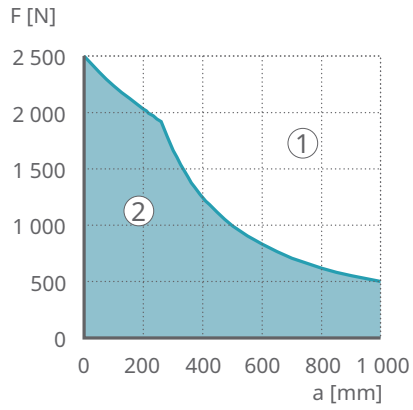
9 Offset load diagram TFG, 300 mm stroke



001D391A

F	Load	a	Load distance from center of column
1	Overload range	2	Ideal load range
3	Stick-slip effect		

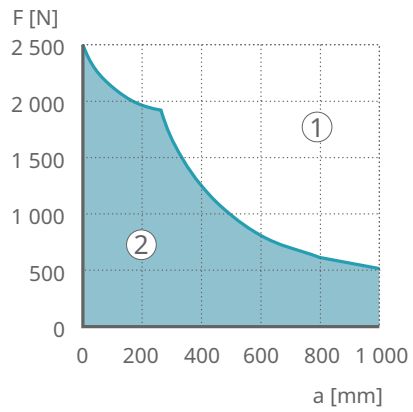
10 Offset load diagram TFG, 400 mm stroke



001D391B

F	Load	a	Load distance from center of column
1	Overload range	2	Ideal load range

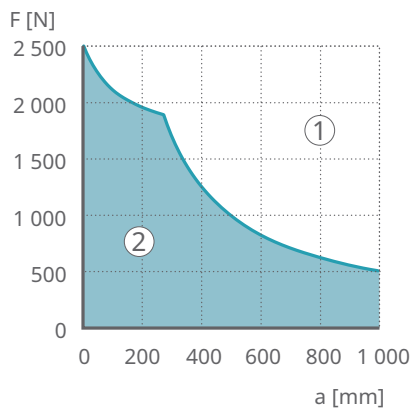
11 Offset load diagram TFG, 500 mm stroke



001D391D

F	Load	a	Load distance from center of column
1	Overload range	2	Ideal load range

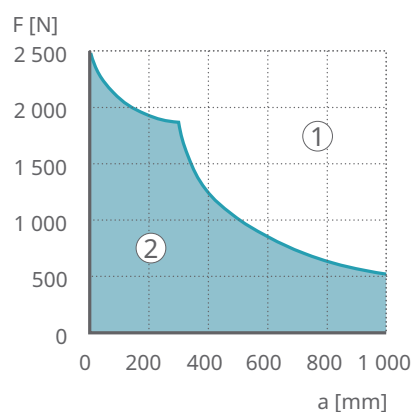
12 Offset load diagram TFG, 600 mm stroke



001D3922

F	Load	a	Load distance from center of column
1	Overload range	2	Ideal load range

13 Offset load diagram TFG, 700 mm stroke



001D3925

F	Load	a	Load distance from center of column
1	Overload range	2	Ideal load range

## Accessories

### 3 Accessories TFG

Accessories	Ordering designation	Order number
Upper mounting plate	ZPL-333360	0124808
Lower mounting plate	ZPL-264363	0124814
Push tube fastening screw, M10×25 (1 screw required)	ZBE-510978	0125359
Fastening screw for upper mounting plate, M6×30 (4 screws/plate required)	ZBE-510709	0125560
Fastening screw for lower mounting plate, M6×30 (4 screws/plate required)	ZBE-510709	0125560
Mains cable with SEV plug, 3000 mm, black, 3 × 0.75 mm <sup>2</sup>	ZKA-304345-3000	0128699
Mains cable with Schuko plug, 3000 mm, black, 3 × 0.75 mm <sup>2</sup>	ZKA-304346-3000	0121729
Mains cable with US plug, 3000 mm, black, 3 × 0.75 mm <sup>2</sup>	ZKA-304347-3000	0121762

## Ordering key

14 Ordering designation TFG

	TFG	1	0	-	23	200	000	-	000
Type									
Voltage									
1	DC 24 V								
5	AC 120 V 50/60 Hz								
9	AC 230 V 50 Hz								
Stroke S									
200	200 mm								
250	250 mm								
300	300 mm								
350	350 mm								
400	400 mm								
500	500 mm								
700	700 mm								
Option									
000	No option								
E_ _	With dual Hall encoder, 14 pulses per 9 mm travel								
_C_	With mains cable feed through (3×AWG16)								
_ _H	With control cable feed through (10×AWG28)								

001DFFC9

**Schaeffler Technologies AG & Co. KG**

Georg-Schäfer-Straße 30

97421 Schweinfurt

Germany

[www.schaeffler.de/en](http://www.schaeffler.de/en)

[info.de@schaeffler.com](mailto:info.de@schaeffler.com)

In Germany:

Phone 0180 5003872

From other countries:

Phone +49 9721 91-0

All information has been carefully compiled and checked by us, but we cannot guarantee complete accuracy. We reserve the right to make corrections. Therefore, please always check whether more up-to-date or amended information is available. This publication supersedes all deviating information from older publications. Printing, including excerpts, is only permitted with our approval.  
© Schaeffler Technologies AG & Co. KG  
PDB 99 / 01 / en-US / 2026-05