



EWELLIX

EWELLIX Linear Actuators

CAJA35C

Product Data Sheet

We pioneer motion

SCHAEFFLER

1 CAJA35C

1 CAJA35C



001CF013

Benefits

- quick-release solution for rapid intervention during cardiopulmonary resuscitation (CPR)
- detachable cable for quick assembly and service
- integrated brake to ensure self-locking and stability under maximum static compressive load

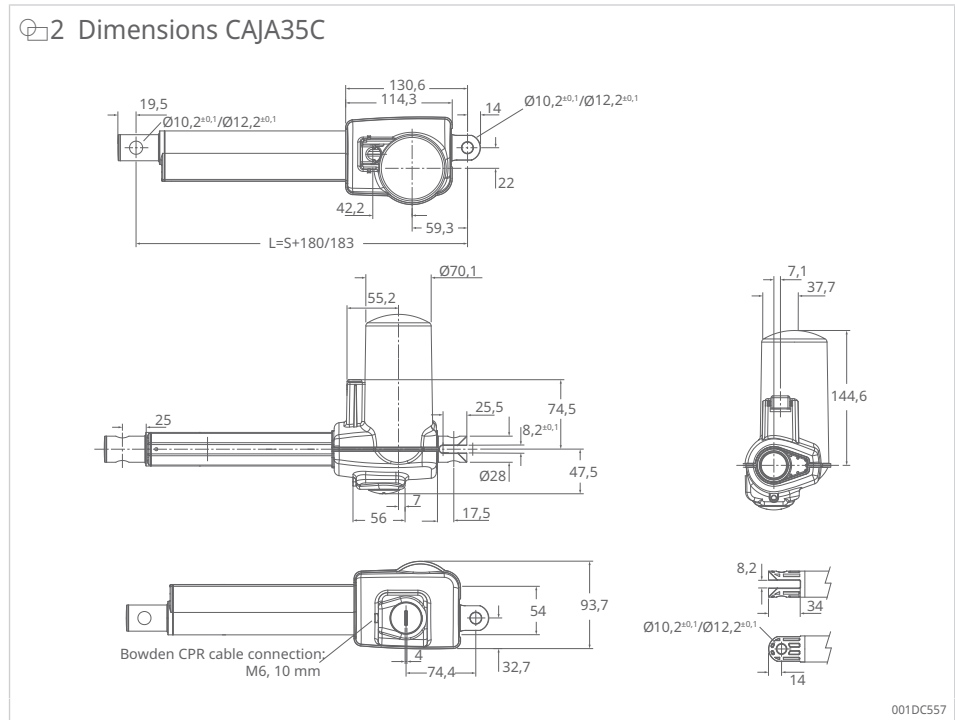
1 Technical data CAJA35C

Feature	Unit	CAJA35C
Rated push force	N	3500
Speed (full load ... no load)	mm/s	5.5 to 8.5
Stroke S	mm	30 to 250
Retracted length L ¹⁾	mm	S + 180 ²⁾
Voltage	V DC	24
Current consumption	A	4
Duty cycle	%	10
Ambient temperature	°C	+10 to +40
Protection code (IP)	-	IP56
Mass	kg	2.5
Color	-	Gray

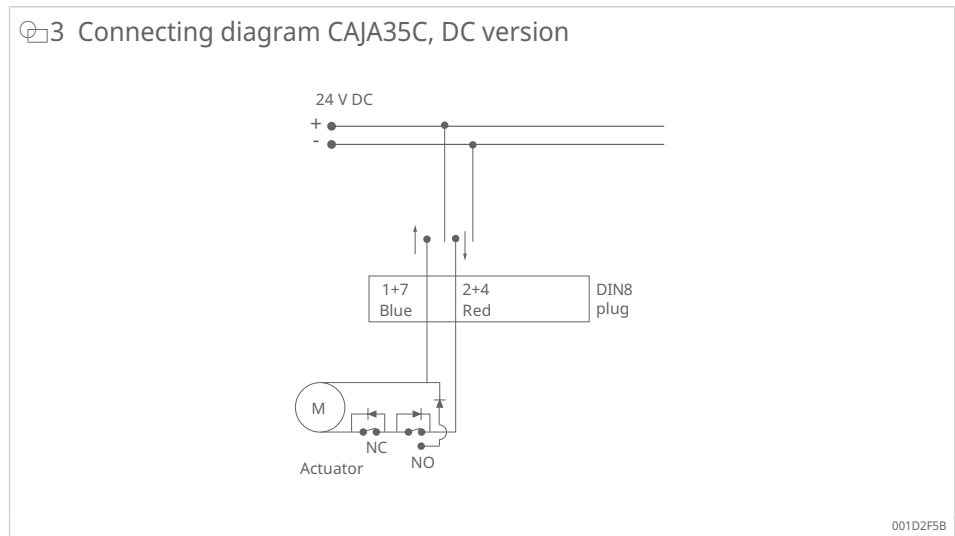
¹⁾ Tolerance ± 3 mm

²⁾ Retracted length +3 mm when clevis is used as front attachment ($L = S + 183$)

Dimensional drawings



Wiring diagrams



Suitable control units and accessories

2 Suitable operating devices

Operating device		Control		
Designation	Switch	SCU	VCU	BCU
EHA3	M	✓	✓	✓
STJ	F	✓	✓	✓
STE	T	✓	✓	✓

- M Hand switch
- F Foot switch
- T Desk switch
- ✓ suitable
- not suitable

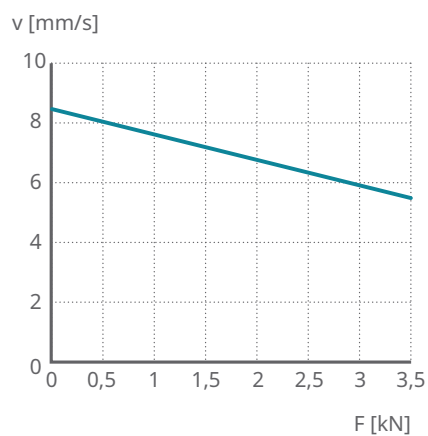
3 Suitable controls

Linear actuator	Control		
	SCU	VCU	BCU
CAJA35C	✓	✓	✓

✓ suitable

Performance diagrams

4 Speed-load diagram CAJA35C

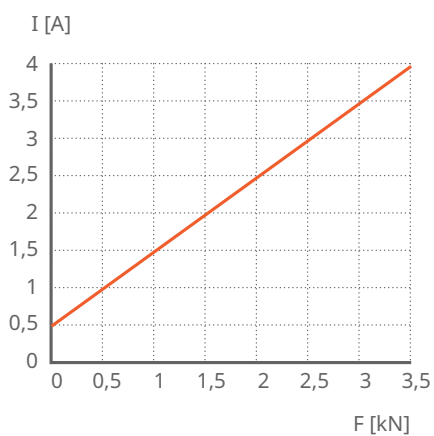


001D1764

v Speed

F Load

5 Current-load diagram CAJA35C



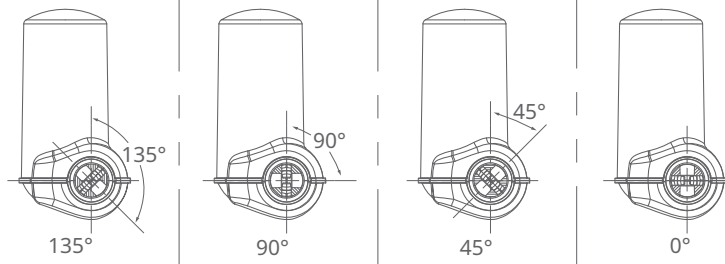
001D1765

I Current consumption

F Load

Alignment

6 Orientation



001CF01C

Accessories

4 Accessories CAJA35C

Straight motor cable	Length
	mm
G517C0-094001-0460	460
G517C0-094001-1350	1350
G517C0-094001-2650	2650

Ordering key

7 Ordering designation CAJA35C

CAJA35C 100 A A 0 U 6 0 0 0 -000

Type**Stroke**

100	100 mm
200	200 mm
250	250 mm
XXX	Customization: 30 ... 250 mm

Rear attachment

A	Clevis end, metal, Ø10,2 mm
B	Clevis end, metal, Ø12,2 mm

Front attachment

A	Tube with hole and metal bushings, Ø10,2 mm
B	Tube with hole and metal bushings, Ø12,2 mm
C	Clevis end, metal, Ø10,2 mm (increase "L" by 3 mm)
D	Clevis end, metal, Ø12,2 mm (increase "L" by 3 mm)

Alignment of attachment (clockwise)

0	0°
1	45°
9	90°
2	135°

Housing material

ABS UL94 V0

Protection type (with mains cables M6, 10 mm connected)

IP56

Option 1

0	No option
1	Anti-pinching solution linear actuator ("push only")

Option 2

0	No option
1	With back-up nut (for "push" load)

Option 3

0	No option
1	Motor with thermoswitch

Customization

000	Standard series
-----	-----------------

001DF788

Schaeffler Technologies AG & Co. KG

Georg-Schäfer-Straße 30

97421 Schweinfurt

Germany

www.schaeffler.de/en

info.de@schaeffler.com

In Germany:

Phone 0180 5003872

From other countries:

Phone +49 9721 91-0

All information has been carefully compiled and checked by us, but we cannot guarantee complete accuracy. We reserve the right to make corrections. Therefore, please always check whether more up-to-date or amended information is available. This publication supersedes all deviating information from older publications. Printing, including excerpts, is only permitted with our approval.
© Schaeffler Technologies AG & Co. KG
PDB 94 / 01 / en-US / 2026-04