



EWELLIX

EWELLIX Operating Devices

CAES, EHA1, EHA3, EHE1, HSM, HSF, PHC, PFP, ST, STK, PAM

Product Data Sheet

We pioneer motion

SCHAEFFLER

Contents

1	Hand switch CAES	4
2	Hand switch EHA1	6
3	Hand switch EHA3	9
4	Hand switch EHE1	12
5	Hand switch HSM, HSF	14
6	Pneumatic hand switch PHC	16
7	Pneumatic foot switch PFP	18
8	Foot switch ST	20
9	Desk switch ST	22
10	Desk switch STK	24
11	Pneumatic desk switch PAM	26

1 Hand switch CAES

1 Hand switch CAES



001CF1A4

Benefits

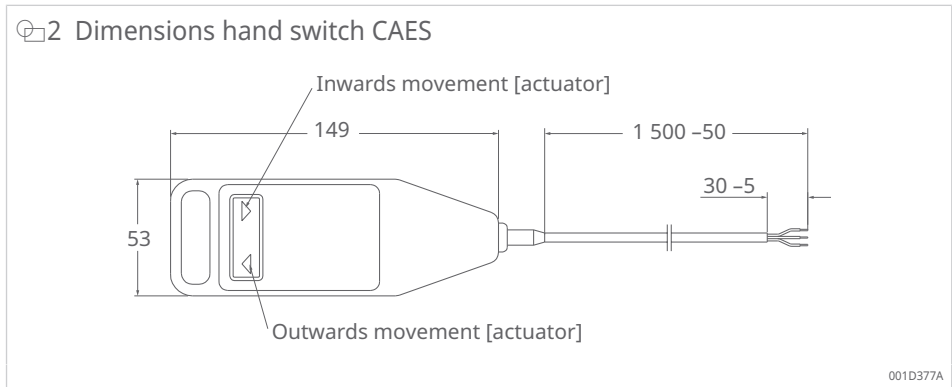
- robust ergonomic design
- membrane keyboard
- clearly marked buttons

1 Technical data hand switch CAES

Feature	Unit	CAES31C
Max. operating channels	No.	1
Operating power supply	V DC /mA	30/33
Protection code (IP)	-	IP54
Color	-	Black

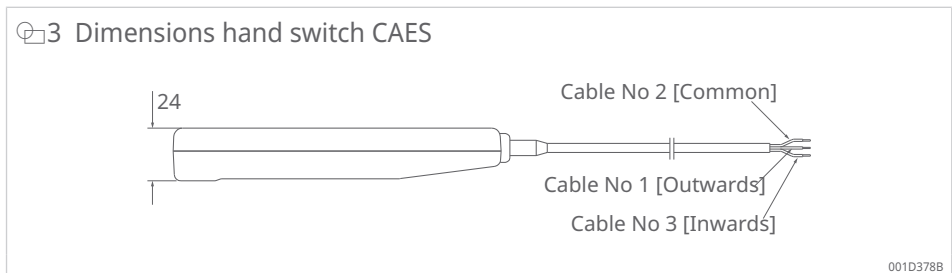
Dimensional drawings

2 Dimensions hand switch CAES



001D377A

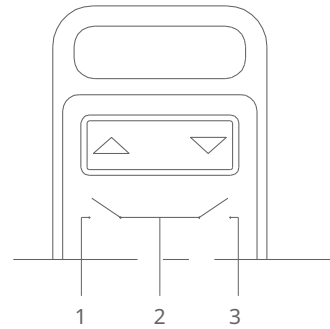
3 Dimensions hand switch CAES



001D378B

Wiring diagrams

4 Connecting diagram hand switch CAES



001CF1A6

Suitable control units and accessories

2 Suitable control units

Operating device		Control units		
Designation	Switch	CAED 3-24R	CAED 9-24R	CAEV 110/220
CAES 31C	M	✓	✓	✓

M Hand switch

✓ suitable

Ordering key

3 Ordering designation hand switch CAES

Designation	Characteristics
CAES 31C	No connector, 2 buttons

2 Hand switch EHA1

5 Hand switch EHA1



001D0406

Benefits

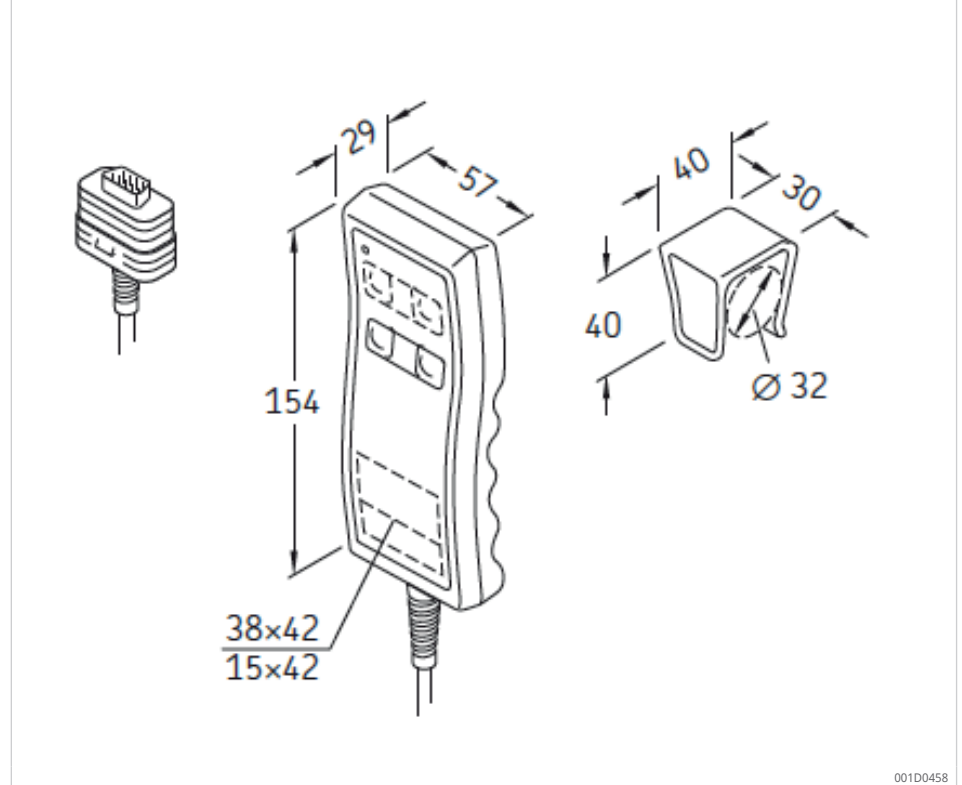
- robust ergonomic design
- tactile buttons, clearly marked
- easy-to-mount holder

4 Technical data hand switch EHA1

Feature	Unit	EHA1
Max. operating channels	No.	2
Operating power supply	V DC /mA	12/50
Protection code (IP)	-	IP67
Color	-	Gray

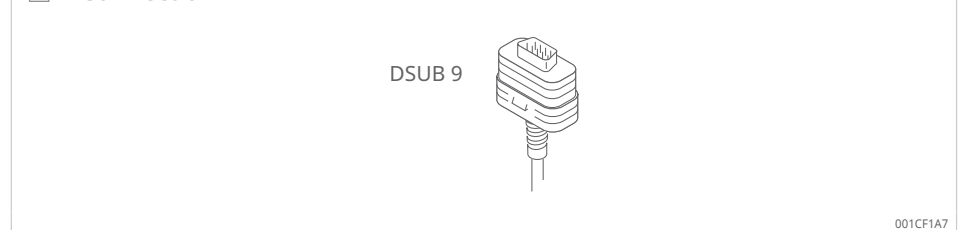
Dimensional drawings

6 Dimensions hand switch EHA1



Wiring diagrams

7 Connection EHA1



Suitable control units and accessories

5 Suitable control units and linear actuators

Operating device		Linear actuator	Control units
Designation	Switch	MAX7	MCU
EHA1	M	✓	✓

M Hand switch
 ✓ suitable

Accessories

6 Accessories hand switch EHA1

Designation	Ordering designation	Order number
Holder with self-adhesive attachment	ZBG-145361-000	0125538

Ordering key

8 Ordering designation hand switch EHA1

EHA1		1	-	1	1	B	00	N	-	000
Type										
Number of channels										
1	1 channel									
2	2 channels									
Holder										
1	Yes, with mounted holder									
2	Holder supplied separately									
Cable/connecting plug										
B	Coiled cable 1.3 m/2.5 m / D-sub plug, 9-pin									
C	Straight cable 2.5 m (Mini-DIN plug, 6-pin)									
D	Coiled cable, 1.0 m/2.0 m (Mini-DIN plug, 6-pin)									
F	Coiled cable, 2.5 m/3.5 m/D-sub plug, 9-pin									
Symbols										
00	None									
10	1 channel:	Head								
20	2 channels:	Arrow up/down								

001DF728

3 Hand switch EHA3

9 Hand switch EHA3



3

Benefits

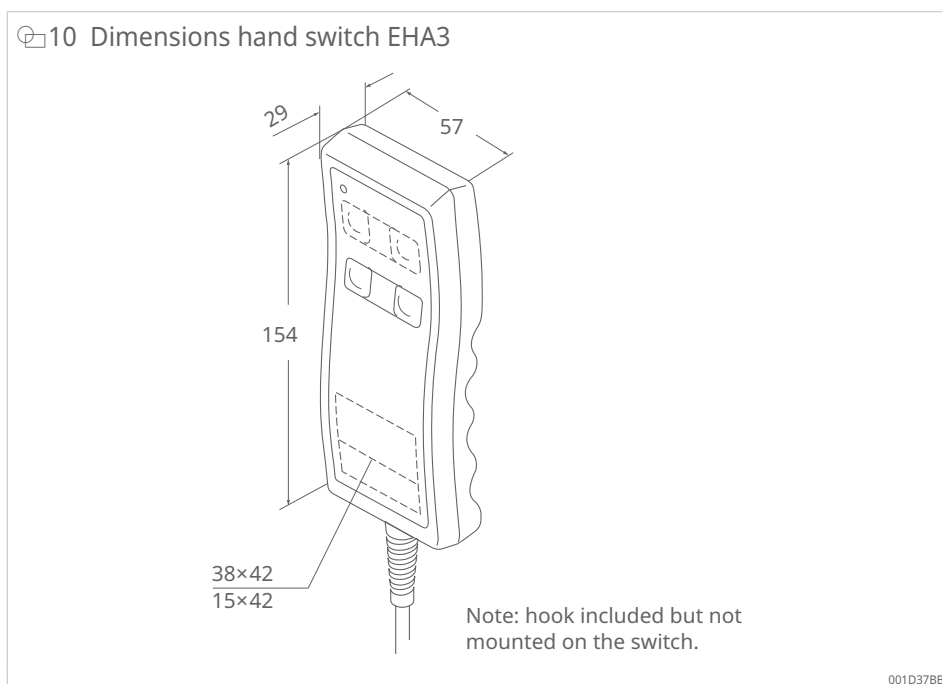
- robust ergonomic design
- tactile buttons, clearly marked
- easy-to-mount holder

7 Technical data hand switch EHA3

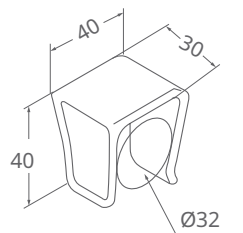
Feature	Unit	EHA3
Max. operating channels	No.	5
Operating power supply	V DC /mA	12/50
Protection code (IP)	-	IP67
Color	-	Gray
Cable coiled cable 1.3 m/2.5 m	-	D-sub 15-pin

Dimensional drawings

10 Dimensions hand switch EHA3



11 Dimensions hook for EHA3



001CF1B1

Wiring diagrams

12 Connection EHA3

High density
D-Sub 15



001D37AB

Suitable control units and accessories

8 Suitable control units and lifting columns for hand switch EHA3

Operating device		Lifting column		Control units							
Designation	Switch	TFG50	TFG90	SCU1	SCU5	SCU9	VCU5	VCU8	VCU9	BCU5	BCU8
EHA3	M	✓	✓	✓	✓	✓	✓	✓	✓	✓	✓

M Hand switch
✓ suitable

Accessories

9 Accessories hand switch EHA3

Designation	Ordering designation	Order number
Holder with self-adhesive attachment	ZBG-145361-000	0125538

Ordering key

13 Ordering designation hand switch EHA3

Type		EHA3		1	-	2	3	M	00	N	-	000
Number of channels												
1	1 channel											
2	2 channels											
3	3 channels											
4	4 channels, available on request											
5	5 channels											
A	1 channel with 3 memory positions (for SCU only)											
B	2 channels with 3 memory positions (for SCU only)											
C	3 channels with 3 memory positions (for SCU only)											
Symbols												
00	None											
10	1 channel: 2nd row from top	Arrow up/down										
11		Head										
12		Foot										
13		Height										
14		Anti-Trendelenburg										
20	2 channels: 1st-2nd row from top	Arrow up/down										
21		Head/foot										
22		Head/height										
23		Height/head										
29		Height/Anti-Trendelenburg										
30	3 channels: 1st-3rd row from top	Arrow up/down										
31		Head/foot/height										
32		Height/head/foot										
39		Height/Anti-Trendelenburg/head										
40	4 channels: 1st-4th row from top	Arrow up/down										
47		Height/Anti-Trendelenburg/head/foot										
50	5 channels: 1st-5th row from top	Arrow up/down										

001DF738

4 Hand switch EHE1

④14 Hand switch EHE1



001D040B

Benefits

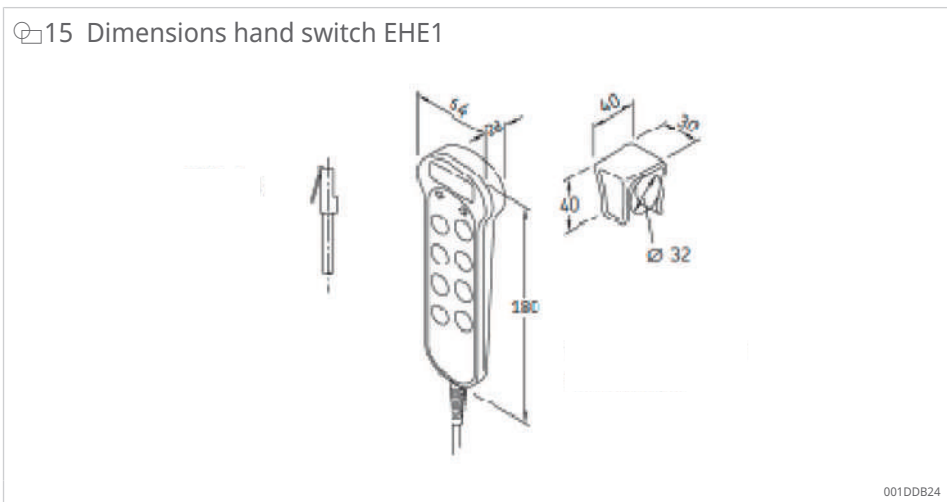
- simple and precise
- flexible operation
- ergonomic design

④10 Technical data hand switch EHE1

Feature	Unit	EHE1
Max. operating channels	No.	2
Operating power supply	V DC /mA	38/50
Protection code (IP)	-	IP67
Color	-	Gray
Cable coiled cable 1.1 m/2.5 m	-	FCC plug

Dimensional drawings

④15 Dimensions hand switch EHE1



001DD824

Suitable control units and accessories

11 Suitable control units and lifting columns for hand switch EHE1

Operating device		Lifting column				Control units	
Designation	Switch	TXG4 ¹⁾	TXG5 ¹⁾	TXG8 ¹⁾	TXG9 ¹⁾	SEM1 2	SEM1 2
EHE1	M	✓	✓	✓	✓	✓	✓

¹⁾ only with FCC plug

M Hand switch
✓ suitable

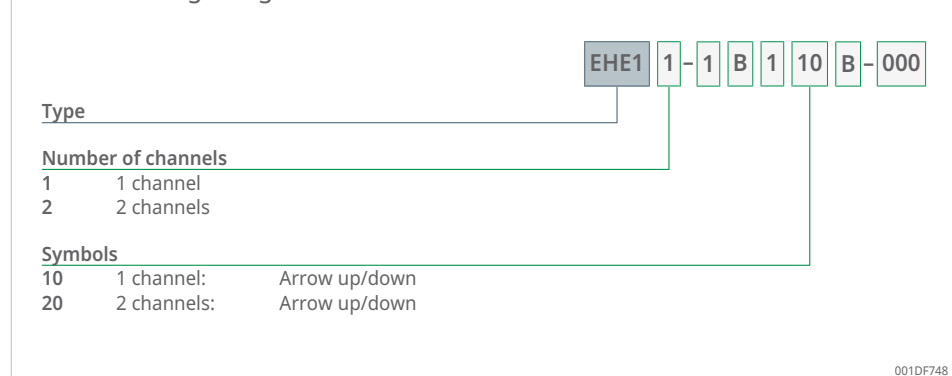
Accessories

12 Accessories hand switch EHE1

Designation	Ordering designation	Order number
Holder	ZBG-145361-000	0125538

Ordering key

16 Ordering designation hand switch EHE1



5 Hand switch HSM, HSF

17 Hand switch HSM, HSF



001CF1BE

Benefits

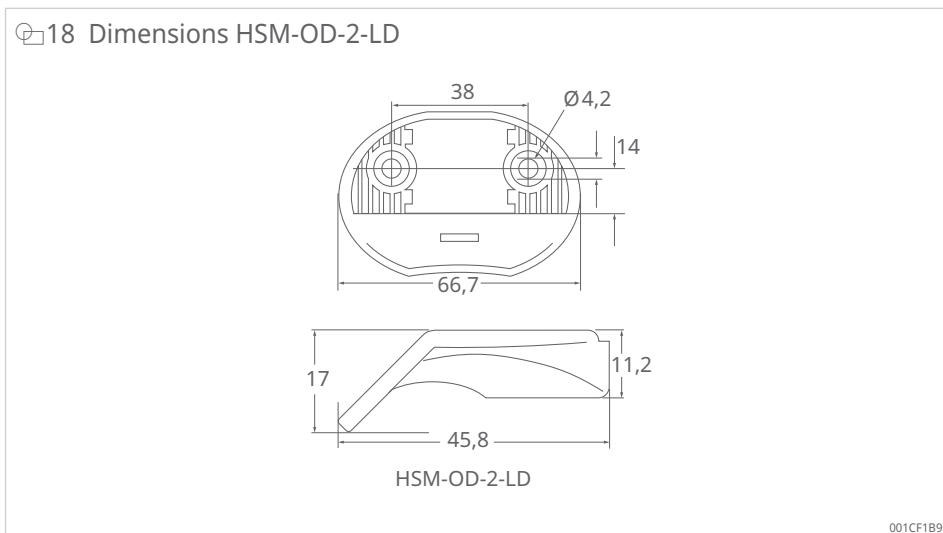
- simple and precise
- attractive design
- various functions

13 Technical data hand switch HSM, HSF

Feature	Unit	HSM-OD-2-LD	HSF-MDF-4M4-LD
Max. operating channels	No.	1	1 or 2
Operating power supply	V DC /mA	5/50	5/50
Protection code (IP)	-	IP32	IP32
Color	-	Black	Black

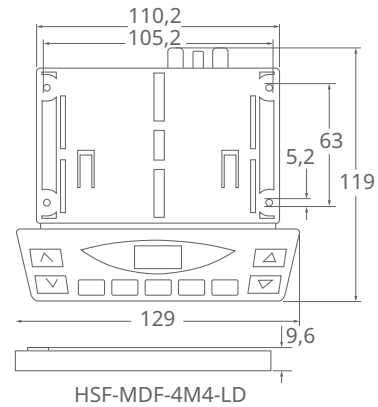
Dimensional drawings

18 Dimensions HSM-OD-2-LD



001CF1B9

19 Dimensions HSF-MDF-4M4-LD



001CF1BD

Suitable control units and accessories

14 Suitable control units for hand switch HSM and HSF

Operating device		Control units
Designation	Switch	COMPACT
HSM-OD-2-LD	M	✓
HSF-MDF-4M4-LD	M	✓

M Hand switch

✓ suitable

Ordering key

15 Ordering designation hand switch HSM and HSF

Designation	Characteristics
HSM-OD-2-LD	DIN-7 plug
HSF-MDF-4M4-LD	DIN-7 plug

6 Pneumatic hand switch PHC

☞20 Pneumatic hand switch PHC



001D040D

Benefits

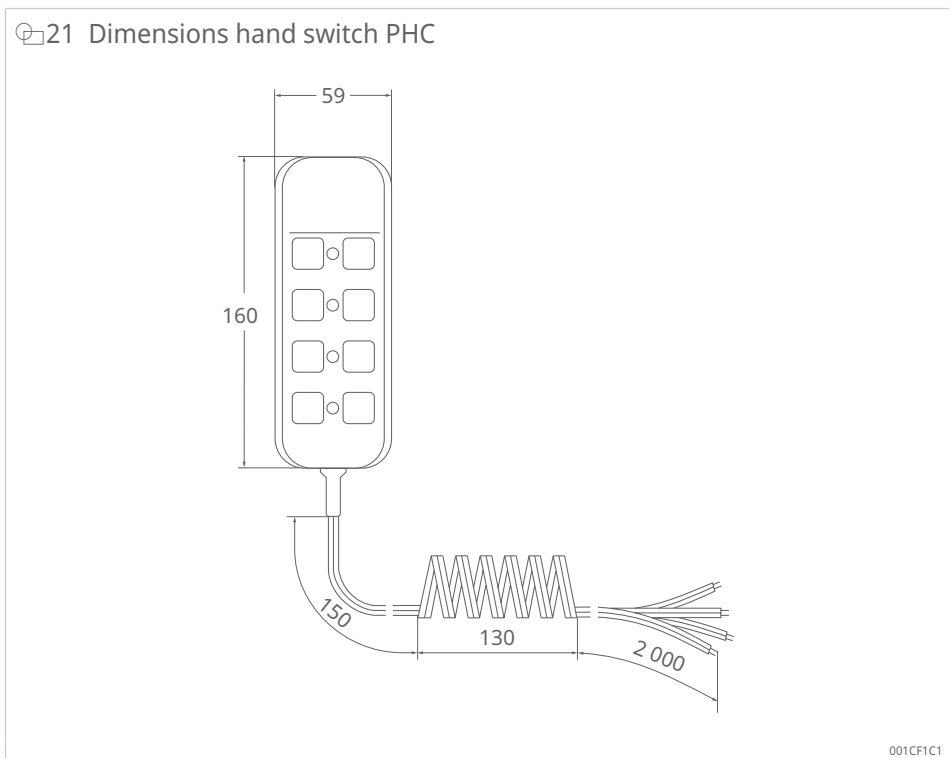
- simple and precise
- flexible operation, also from a greater distance
- ergonomic design

☞16 Technical data hand switch PHC

Feature	Unit	PHC
Max. operating channels	No.	4
Operating power supply	V DC /mA	N/A
Protection code (IP)	-	IP66
Color	-	Gray

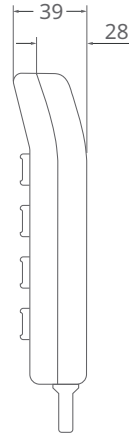
Dimensional drawings

☞21 Dimensions hand switch PHC



001CF1C1

22 Dimensions hand switch PHC, side view



001CF1C2

Suitable linear actuators and accessories

17 Suitable control units and linear actuators for hand switch PHC

Operating device		Linear actuator	Control units		
Designation	Switch		TLC Pneumatic	TGC Pneumatic	THC Pneumatic
PHC	M	✓	✓	✓	✓

M Hand switch
 ✓ suitable

Ordering key

18 Ordering designation hand switch PHC

Designation	Characteristics
PHC 1 - 130517	1 channel with arrows up/down, without holder
PHC 2 - 130625	2 channel with arrows up/down, without holder
PHC 3 - 130756	3 channel with arrows up/down, without holder
PHC 4 - 130955	4 channel with arrows up/down, without holder

Other symbols/with holder available on request.

7 Pneumatic foot switch PFP

23 Pneumatic foot switch PFP



001CF1CC

Benefits

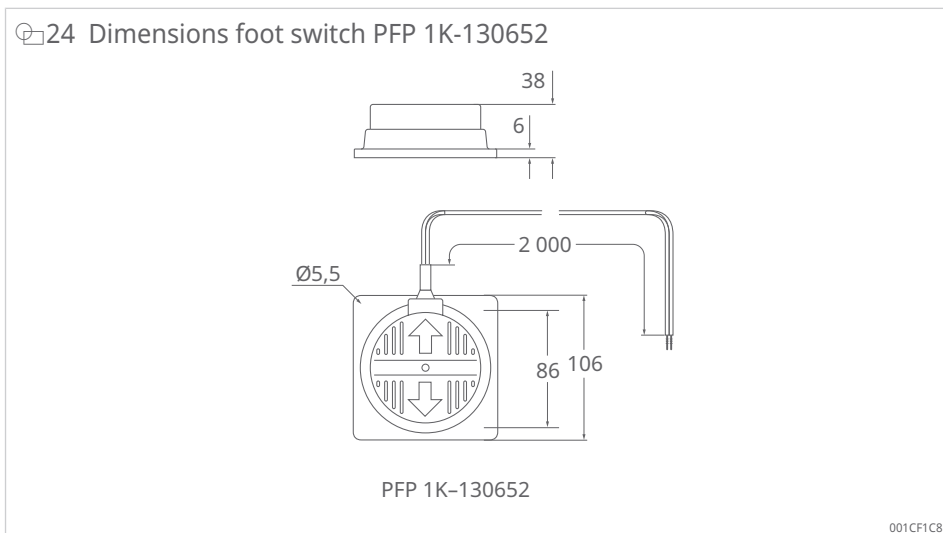
- robust ergonomic design
- simple and precise
- flexible operation, also from a greater distance

19 Technical data foot switch PFP

Feature	Unit	PFP 1K	PFP 1
Max. operating channels	No.	1	1
Operating power supply (DC)	V/mA	N/A	N/A
Protection code (IP)	-	IP21	IP21
Color	-	Gray	Anthracite

Dimensional drawings

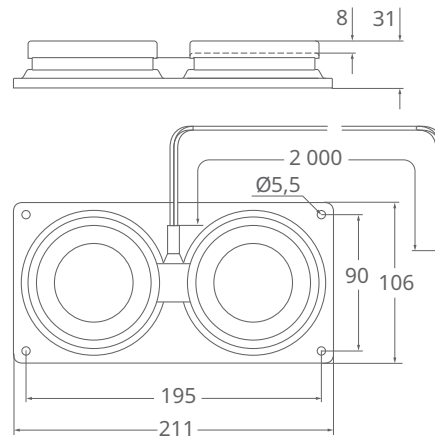
24 Dimensions foot switch PFP 1K-130652



PFP 1K-130652

001CF1C8

25 Dimensions foot switch PFP 1-121545



001CF1CA

Suitable linear actuators and accessories

20 Suitable control units and linear actuators for foot switch PFP

Operating device		Linear actuator	Control units		
Designation	Switch		TLC Pneumatic	TGC Pneumatic	THC Pneumatic
PFP	F	MAX7	✓	✓	✓

F Foot switch
 ✓ suitable

Ordering key

21 Ordering designation foot switch PFP

Designation	Characteristics
PFP 1K - 130652	No connector, 2 buttons
PFP 1 - 121545	

Other versions on request.

8 Foot switch ST

26 Foot switch ST



001CF1D1

Benefits

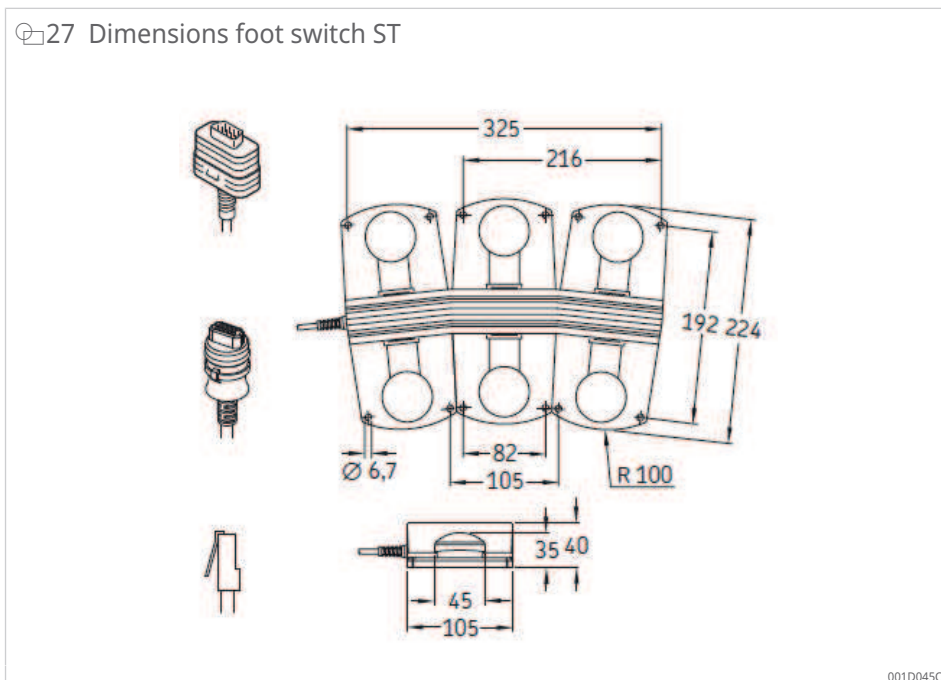
- simple and precise
- ergonomic design
- various plug options

22 Technical data foot switch ST

Feature	Unit	ST
Max. operating channels	No.	3
Operating power supply	V DC /mA	12/50
Protection code (IP)	-	IPX5
Color	-	Blue/anthracite

Dimensional drawings

27 Dimensions foot switch ST



001D045C

Suitable control units and accessories

23 Suitable control units, lifting columns, and linear actuators for foot switch STJ and STF

Operating device		Lifting column		Linear actuator	Control units			
Designation	Switch	TFG 50	TXG4, TXG5, TXG8, TXG9 ¹⁾	MAX7	SCU 1, SCU 5, SCU 9	VCU 5, VCU 8, VCU 9	BCU 5, BCU 8	MCU
STJ	F	✓			✓	✓	✓	
STF	F		✓	✓				✓

¹⁾ only with FCC plug

F Foot switch
✓ suitable

Accessories

24 Accessories foot switch ST

Designation	Ordering designation	Order number
Rubber feet (100 pcs.)	ZBE-135310	0102879
Sticker arrow up	ZKL-135309-0001	0124871
Sticker arrow down	ZKL-135309-0002	0124870

Ordering key

28 Ordering designation foot switch ST

	ST	F	0	1	-	LU	1	000	-	X1	00
Type											
Product group											
F											
J											
Number of channels											
1											
2											
3											
Cable/connecting plug											
LU											
LW											
0U											
0V											
0W											
Color											
1											
4											
Option											
000											
MAY											
Symbols											
X1											
37											

001DF758

9 Desk switch ST

29 Desk switch ST



001D047A

Benefits

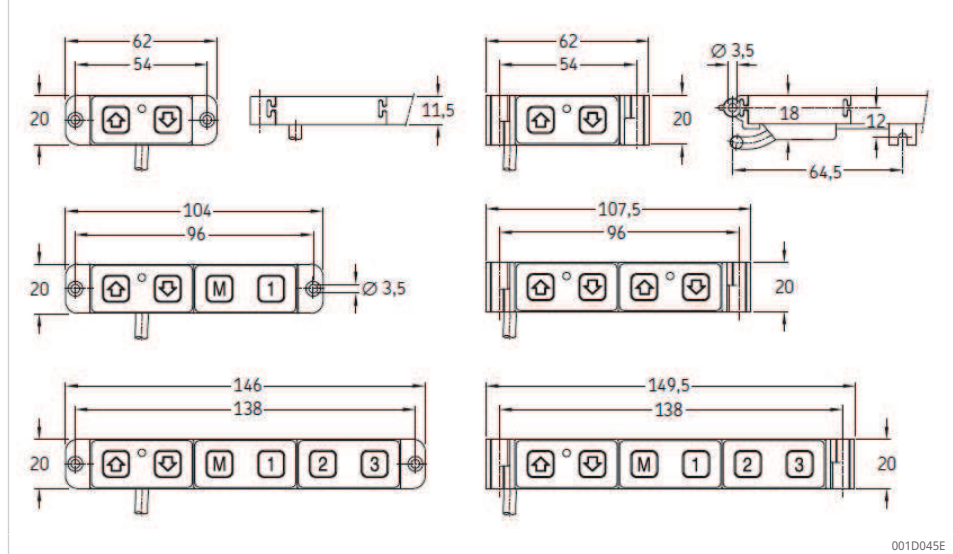
- simple and precise
- attractive design
- position memory

25 Technical data desk switch ST

Feature	Unit	ST
Max. operating channels	No.	3
Operating power supply	V DC /mA	12/50
Protection code (IP)	-	IPX0
Color	-	Black

Dimensional drawings

30 Dimensions desk switch ST



001D045E

Suitable control units and accessories

26 Suitable control units, lifting columns, and linear actuators for desk switch STA and STE

Operating device		Lifting column ¹⁾		Linear actuator ¹⁾	Control units			
Designation	Switch	TFG 50	TXG4, TXG5, TXG8, TXG9 ²⁾	MAX7	SCU 1, SCU 5, SCU 9	VCU 5, VCU 8, VCU 9	BCU 5, BCU 8	MCU
STA	T		✓	✓				✓
STE	T	✓			✓	✓	✓	

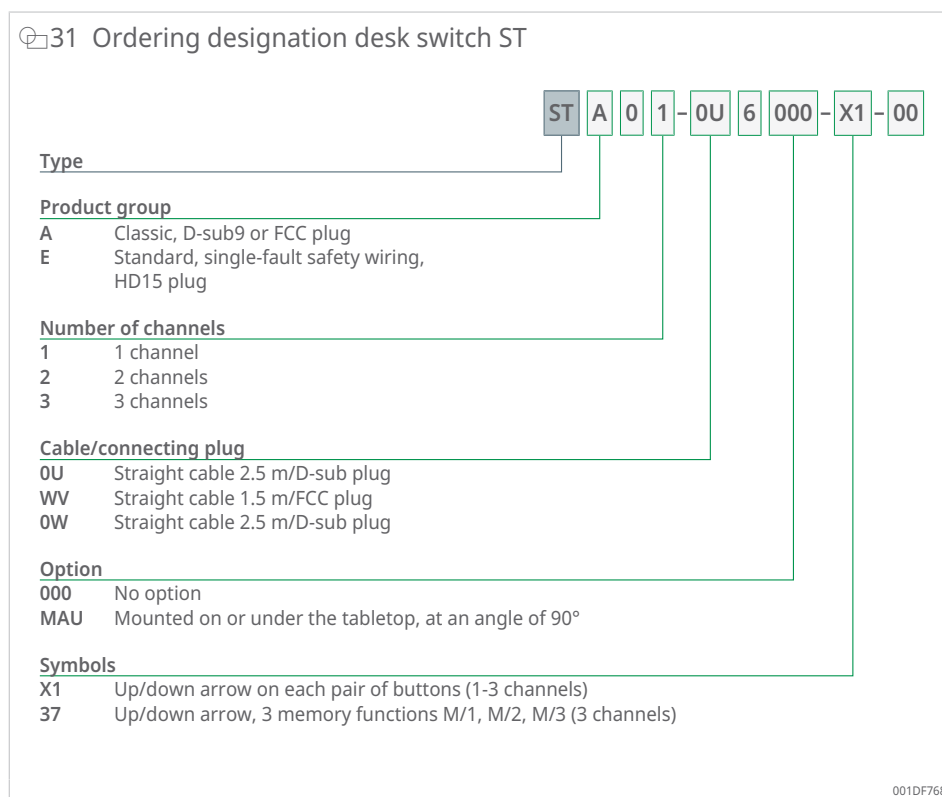
1) with integrated control units

2) only with FCC plug

T Desk switch
✓ suitable

Ordering key

31 Ordering designation desk switch ST



10 Desk switch STK

32 Desk switch STK



001CF1E5

10

Benefits

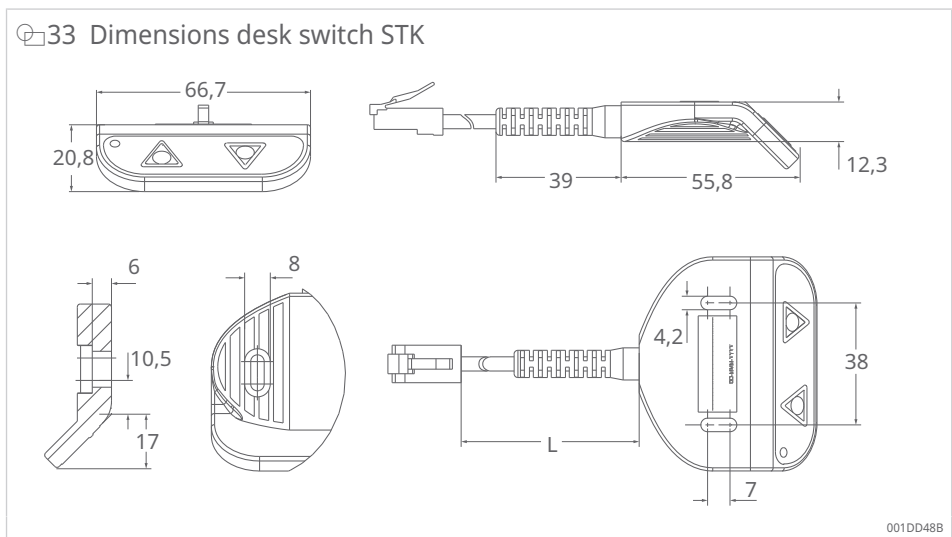
- simple and precise
- attractive design
- tactile buttons with finger guide
- LED 2 colors for power and feedback status

27 Technical data desk switch STK

Feature	Unit	STK
Max. operating channels	No.	1
Operating power supply	V DC /mA	12/50
Color	-	Gray
Indicator	-	2-color LED status indicator for power supply and feedback
Plug	-	RJ45
Symbols	-	with arrows up/down

Dimensional drawings

33 Dimensions desk switch STK



001DD48B

28 Dimensions STK

Operating device	L (mm)
STK01-SW3000-X100	500
STK01-UW3000-X100	1000

Suitable control units and accessories

29 Suitable lifting columns and accessories for desk switch STK

Operating device		Lifting columns			Socket boxes	
Designation	Switch	CPMA1-1	CPMA1-2	CPMA2-2	ZDV-348220-002	ZDV-348221-002
STK01-SW3000-x100	T	✓	✓	✓	✓	✓
STK01-UW3000-x100	T	✓	✓	✓	✓	✓

T Desk switch
 ✓ suitable

Ordering key

30 Ordering designation desk switch STK

Part number	Order number	Characteristics
STK01-SW3000-x100	130025	Desk switch with LED, cable 0.5 m
STK01-UW3000-x100	130026	Desk switch with LED, cable 1 m

11 Pneumatic desk switch PAM

34 Pneumatic desk switch PAM



Benefits

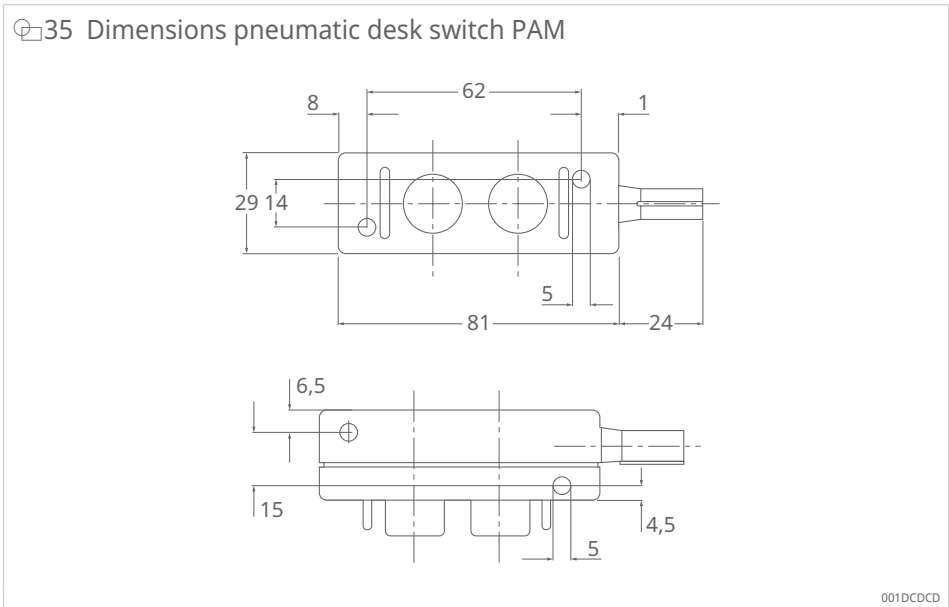
- operation with air (no electricity)
- attractive design

31 Technical data pneumatic desk switch PAM

Feature	Unit	PAM
Max. operating channels	No.	1
Tube	-	Straight, 1.5 m
Color	-	Anthracite

Dimensional drawings

35 Dimensions pneumatic desk switch PAM



Suitable control units and accessories

32 Suitable control units and linear actuators for pneumatic desk switch PAM

Operating device		Linear actuator	Control units		
Designation	Switch		TLC Pneumatic	TGC Pneumatic	THC Pneumatic
PAM	T	✓	✓	✓	✓

T Desk switch
 ✓ suitable

Ordering key

33 Ordering designation pneumatic desk switch PAM

Designation

PAM-130256

Schaeffler Technologies AG & Co. KG

Georg-Schäfer-Straße 30

97421 Schweinfurt

Germany

www.schaeffler.de/en

info.de@schaeffler.com

In Germany:

Phone 0180 5003872

From other countries:

Phone +49 9721 91-0

All information has been carefully compiled and checked by us, but we cannot guarantee complete accuracy. We reserve the right to make corrections. Therefore, please always check whether more up-to-date or amended information is available. This publication supersedes all deviating information from older publications. Printing, including excerpts, is only permitted with our approval.
© Schaeffler Technologies AG & Co. KG
PDB 90 / 01 / en-US / 2026-04