



EWELLIX

## EWELLIX Limit Switch

CAXE

Product Data Sheet

We pioneer motion

**SCHAEFFLER**



# 1 EWELLIX limit switch CAXE

The EWELLIX limit switch CAXE is based on 2 complementary (NO/NC) proximity switches mounted on a special protection tube to indicate the end positions of the actuator. When combined with actuator controllers or other PLC controllers, the limit switch enables the stroke to be set to any desired length.

- CAXE developed for the following linear actuators
  - CAR22
  - CAR32
  - CAR40
  - CAT32B
  - CARN32
- It is recommended to place the limit switch at a distance of at least 10 mm from the end stop to avoid mechanical defects.
- For this option, the front attachment G3 must be selected.

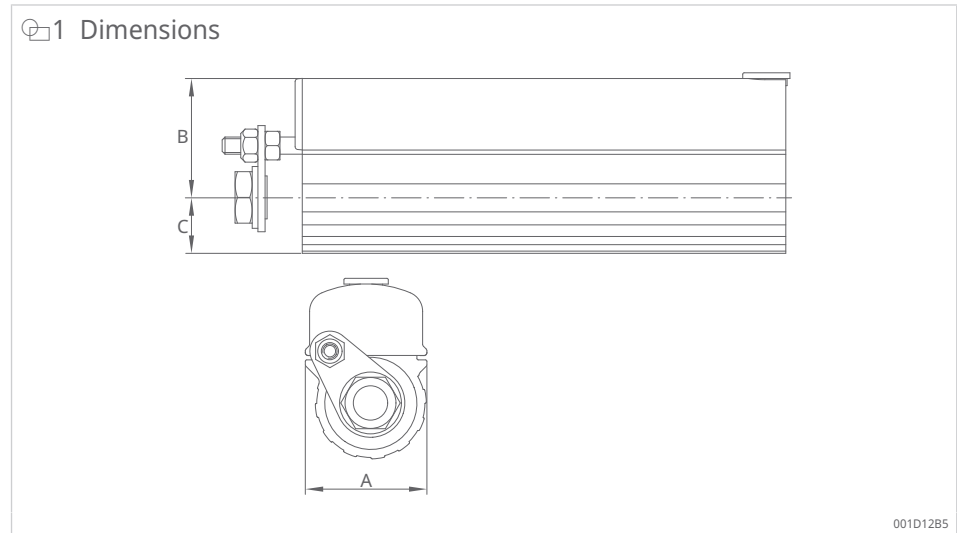
## 1 Technical data, CAXE

Characteristic	Unit	CAXE
Power supply	-	DC
Operating voltage	V	5 ... 30
Current max.	mA	100
Protection class	-	III
Voltage drop	V	< 5
Electrical function	-	NC: normally closed NO: normally open
Response time	ms	0.3
Release time	ms	0.6
Operating temperature	°C	-20 ... +70
Sensor element protection type	-	IP67
Vibration/shock, sensor element	-	According to IEC 60947-5-1
Cable length L	mm	2000
Cable diameter D	mm	3
Cable material	-	PUR
Cable cross-section	mm <sup>2</sup>	3 × 0.14



The sensor has no overload protection and no reverse polarity protection.

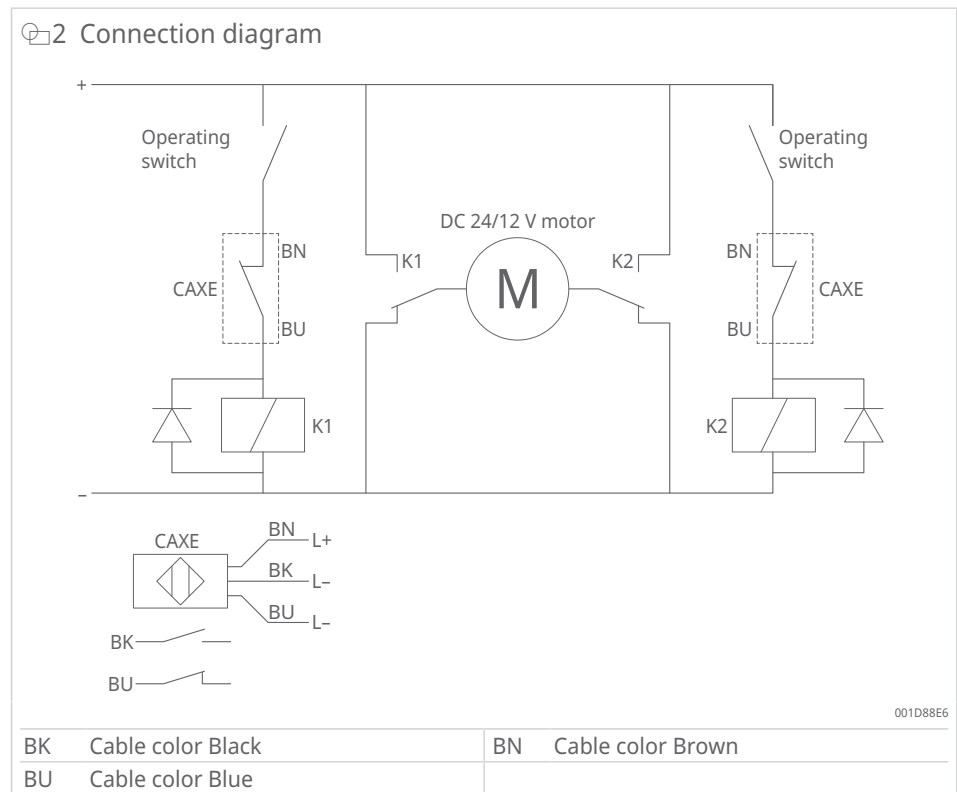
### Dimensional drawings



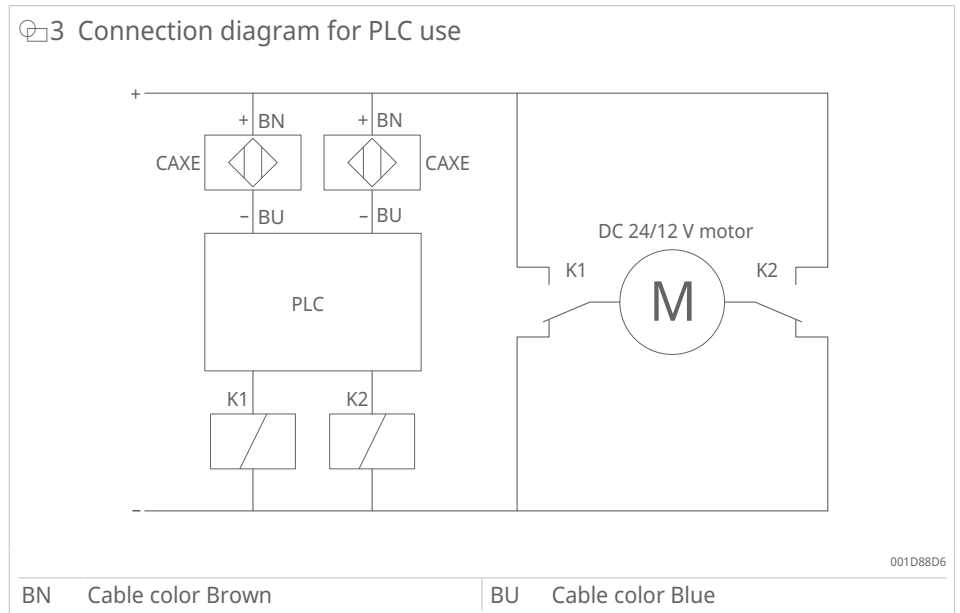
### 2 Dimensions

Limit switch	A	B	C
CAXE 22	42.5	37	14
CAXE 32	47.5	40	20
CAXE 32B	47.5	40	20
CAXE 40	46	46	23

### Wiring diagrams



3 Connection diagram for PLC use



Never connect the limit switches to an AC power supply.

### Ordering key

4 Order key CAXE

Type	022	050
022	CAXE32	CAR 22
032	CAXE32	CAR 32, CARN 32
32B	CAXE32B	CAT 32B
040	CAXE40	CAR 40

Actuator stroke (mm)		
050	050	CAR 22, 32 CARN 32 and CAT 32B
100	100	CAR 22, 32, 40, CARN 32 and CAT 32B
150	150	CAR 22
200	200	CAR 22, 32 CARN 32 and CAT 32B
300	300	CAR 22, 32, 40, CARN 32 and CAT 32B
400	400	CAT 32B
500	500	CAR 32, 40, CARN 32 and CAT 32B
700	700	CAR 32, 40, CARN 32 and CAT 32B

CAXE - 022 050

001DC082

**Schaeffler Technologies AG & Co. KG**

Georg-Schäfer-Straße 30

97421 Schweinfurt

Germany

[www.schaeffler.de/en](http://www.schaeffler.de/en)

[info.de@schaeffler.com](mailto:info.de@schaeffler.com)

In Germany:

Phone 0180 5003872

From other countries:

Phone +49 9721 91-0

All information has been carefully compiled and checked by us, but we cannot guarantee complete accuracy. We reserve the right to make corrections. Therefore, please always check whether more up-to-date or amended information is available. This publication supersedes all deviating information from older publications. Printing, including excerpts, is only permitted with our approval.  
© Schaeffler Technologies AG & Co. KG  
PDB 113 / 01 / en-US / 2026-03