

EWELLIX

EWELLIX Limit Switch

CAXD

Product Data Sheet

We pioneer motion

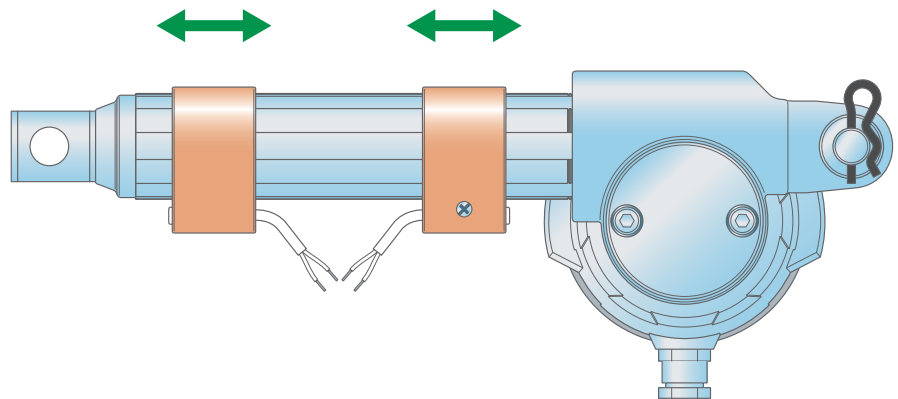
SCHAEFFLER

1 EWELLIX limit switch CAXD

EWELLIX limit switch CAXD is an electronically controlled limit switch based on reed technology. It is mounted on the protection tube to indicate the positions of the actuator. When combined with actuator control units, the limit switch enables the stroke to be set to any desired length.

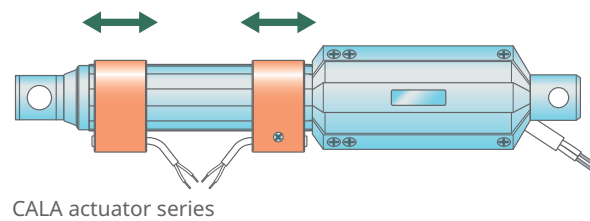
- CAXD designed for the following linear actuators
 - CAT33
 - CALA36A
- A CAXD is required for each end position
- The use of limit switches reduces the useful stroke of CAT33 by 20 mm and CALA36A by 25 mm (affects the retracted position)

1 EWELLIX linear actuator CAT



001D1625

2 EWELLIX linear actuator CALA36A



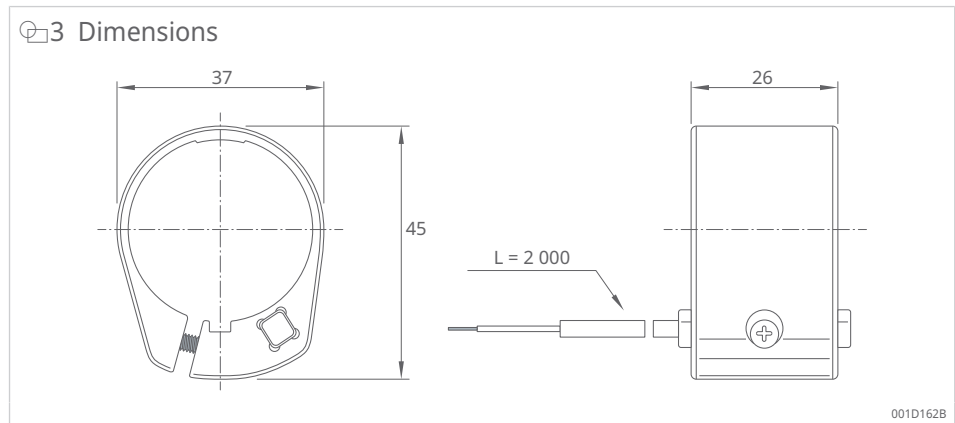
CALA actuator series

001D3398

1 Technical data, CAXD

| Characteristic | Unit | CAXD |
|---------------------------------|-----------------|--|
| Power supply | - | DC |
| Operating voltage | V | 5 ... 30 |
| Current max. | mA | 100 |
| Voltage drop | V | < 5 |
| Electrical function | - | NC: normally closed NO: normally open |
| Response time | ms | 0.3 |
| Release time | ms | 0.6 |
| Operating temperature | °C | -20 ... +50 |
| Sensor element protection type | - | IP67 |
| Vibration/shock, sensor element | - | According to IEC 90947-5-2 |
| Cable length L | mm | 2000 |
| Cable diameter D | mm | 3 |
| Cable material | - | PUR |
| Cable cross-section | mm ² | 2 × 0.14 |
| Housing color | - | Black |

Dimensional drawings



Schaeffler Technologies AG & Co. KG

Georg-Schäfer-Straße 30

97421 Schweinfurt

Germany

www.schaeffler.de/en

info.de@schaeffler.com

In Germany:

Phone 0180 5003872

From other countries:

Phone +49 9721 91-0

All information has been carefully compiled and checked by us, but we cannot guarantee complete accuracy. We reserve the right to make corrections. Therefore, please always check whether more up-to-date or amended information is available. This publication supersedes all deviating information from older publications. Printing, including excerpts, is only permitted with our approval.
© Schaeffler Technologies AG & Co. KG
PDB 114 / 01 / en-US / 2026-03