

EWELLIX

## EWELLIX EMA-80M Linear actuator

Precise and powerful

We pioneer motion

**SCHAEFFLER**

# EWELLIX EMA-80M

## Compact Power for Medical Imaging

The EWELLIX EMA-80M offered by Schaeffler sets a new standard in medical imaging technology by combining strength, precision, and a compact design.

Specifically engineered for patient table elevation in CT, MRI, X-ray systems, this actuator integrates seamlessly with both scissor and parallelogram lifting mechanisms. Delivering exceptional performance in the most demanding environments, the EMA-80M ensures smooth, reliable, and space-saving motion, perfect for medical imaging applications.



### Why EMA-80M?

- **Ultra-low entry position**  
Short retracted length for minimal patient height
- **Extended lifting range**  
Long stroke for maximum vertical adjustment
- **Compact design**  
Small cross-section for easy integration
- **High power density**  
Handles higher patient weights effortlessly
- **High speed & duty cycle**  
Boosts productivity in clinical workflows
- **Long lifecycle & reliability**  
Built for continuous, maintenance-free, and demanding use
- **Superior static safety & self-locking**  
Ensures patient safety
- **Smooth, low-noise motion**  
Enhances patient comfort

## Benefits



### Tailored for Medical Imaging Tables

- Optimized for advanced imaging - Integrates seamlessly with X-ray, CT, MRI, and SPECT tables for accurate positioning
- Flexible compatibility - Fits with scissor and parallelogram lift systems, simplifying design and installation
- Versatile use - Ideal for CT, SPECT, and angiography table designs



### High Performance & Reliability

- High force output and power density for increased load requirements
- High speed and duty cycle for maximum throughput and efficiency
- Long lifecycle with no maintenance for maximum operational reliability



### Compact Yet Powerful

- Short retracted length ensures a low entry height for improved comfort and safety
- Small cross-section and compact built-in dimension
- Long lifting stroke provides a wide vertical range for versatile positioning



### Safety & Comfort

- Superior static safety and self-locking brake
- Smooth, low-noise motion for enhanced patient comfort
- Designed to perform with exceptional reliability in demanding clinical environments

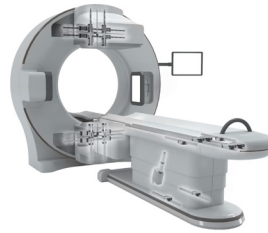
# Applications



CT table with parallelogram lift



CT table with scissor lift



SPECT table with scissor lift

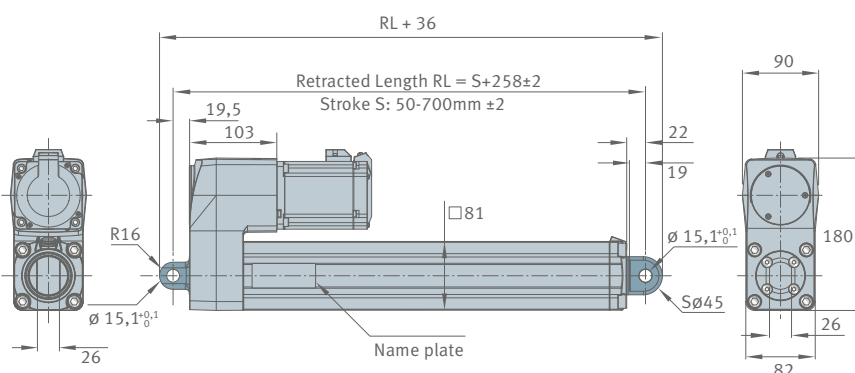


Angiography table

## Technical data

	Unit	EMA-80M (48VDC)	EMA-80M (220VAC)
Rated push load	N	20 000	20 000
Rated pull load	N	20 000	20 000
Speed (full load to no load)	mm/s	25	25
Stroke	mm	50 to 700	50 to 700
Retracted length	mm	S+258	S+258
Voltage	V	48VDC	220VAC
Power consumption	W	750	750
Current consumption	A	18.7A	5.5A
Duty cycle	%	20 (2min/8min)	20 (2min/8min)
Ambient temperature	°C	+10 to +40	+10 to +40
Degree of protection	IP	65M	65M
Weight (300mm stroke)	kg	13.2	13.2
Medical compliant		IEC 60601-1 ed 3.2	IEC 60601-1 ed 3.2

## Dimensional drawing



## Publications

Supporting documents are available for download on [medias.schaeffler.com](https://medias.schaeffler.com) on each product page:

- Datasheet
- Operating manual



**EWELLIX EMA-80M**  
 Linear actuator  
 > Scan QR code  
 > Click on [link](#)

**Schaeffler Technologies AG & Co. KG**

Georg-Schäfer-Straße 30  
97421 Schweinfurt  
Germany

[www.schaeffler.com](http://www.schaeffler.com)

[info@schaeffler.com](mailto:info@schaeffler.com)

In Germany:

Phone 0180 5003872

From other countries:

Phone +49 9721 91-0

Every care has been taken to ensure the correctness of the information contained in this publication but no liability can be accepted for any errors or omissions. We reserve the right to make technical changes.

© Schaeffler Technologies AG & Co. KG

Issued: 2025, December

This publication or parts thereof may not be reproduced without our permission.